

Combio-915

Combio-915 RM 28 520.0801



USA **Operating Instructions**
Please keep the instructions in a safe place.

| | |
|--|-------|
| Safety tips | USA-2 |
| Instruction to the user | USA-3 |
| General | USA-4 |
| Use in accordance with the regulations | USA-4 |
| Combio-915 RM for tubular motors | USA-5 |
| Connection and installation..... | USA-6 |
| Combio-915 RM for tubular motors with fixed cable (limit switch drive)..... | USA-6 |
| Combio-915 RM for elero tubular motors with fixed cable (CSM-E electronic drive) for textile sun protection..... | USA-7 |
| Technical data | USA-8 |
| Tips for finding faults..... | USA-8 |



Warning!



**Important safety indications!
Observe the following Instructions.**

Danger of injury due to electric shocks. Connections to the 120 V mains supply **must** be carried out by authorized, specialized personnel.

- Check the installations regularly for wear and tear or damage.
- The regulations stipulated by the local power supply company should be observed during connection work, as well as the regulations for wet and damp areas in accordance with VDE 0100.
- Observe country-specific regulations.
- Only use unaltered **elero** original parts.
- Ensure that nobody is within the vicinity of the installation until it is brought to a standstill.
- When carrying out work on the installation (e.g. maintenance), always disconnect the installation from the mains supply.
- Keep children away from controls.

This equipment has been tested and found to comply with the limits for a class B digital device, pursuant to part 15 of the FCC Rules. These limits are designed to provide reasonable protection against harmful interference in a residential installation. This equipment generates, uses and can radiate radio frequency energy and if not installed and used in accordance with the instructions, may cause harmful interference to radio communications. However, there is no guarantee that interference will not occur in a particular installation. If this equipment does cause harmful interference to radio or television reception, which can be determined by turning the equipment off and on, the user is encouraged to try to correct the interference by one or more of the following measures:

- Reorient or relocate the receiving antenna.
- Increase the separation between the equipment and receiver.
- Connect the equipment into an outlet on a circuit different from that to which the receiver is connected.
- Consult the dealer or an experienced radio/TV technician for help.

Operation with non-approved equipment is likely to result in interference to radio and TV reception. The user is cautioned that changes and modifications made to the equipment without the approval of manufacturer could void the user's authority to operate this equipment.

General information

The Combio-915 RM radio receiver allows the extension of alternating current drives to a radio drive.

Use in accordance with the regulations

The Combio-915 RM can **only** be used for controlling roller shutters and sun protection systems such as venetian blinds.

- Please observe that radio equipment **cannot** be operated in areas with a high interference risk level (e.g. hospitals, airports).
- The remote control is only allowed for devices and installations in which a malfunction in the hand-held transmitter or the receiver does not represent a threat to persons, animals or things or for installations in which this risk is excluded by other safety systems.
- The user does not have any protection from interferences from other telecommunication and terminal equipment (e.g. including radio equipment which is operated in accordance with the corresponding regulations in the same frequency range).
- Connect radio receivers only to the devices and installations authorized by the manufacturer.

Note:

Radio installations which transmit with the same frequency can cause reception interferences.

Please observe that the radio signal range is restricted by the legislator and structural measures.

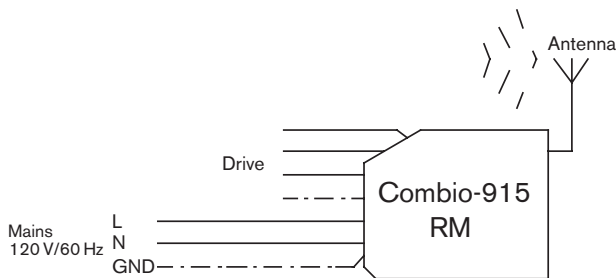
Combio-915 RM for tubular motors (28 520.0001)

The Combio-915 is suitable for the use with tubular motors for roller shutters and sun protection systems.

If a command is sent, the receiver immediately activates the self-locking operating mode.

The hand-held transmitter can be used to program an intermediate position.

For sun protection systems it is possible to additionally program a fabric tautening and a ventilation position for roller shutters (☛ refer to the transmitter instructions).

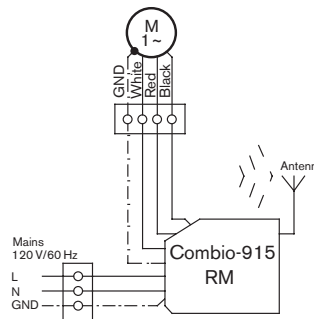


| Pin designation | Wire colour |
|-----------------|-------------|
| L | Black |
| N | White |
| GND | Green |

Note: Do not shorten or lengthen the antenna.

Combio-915 RM for tubular motors with fixed cable (limit switch drive)

1. Switch off the mains voltage.
2. Connect the motor cable of the drive and the cable of the Combio-915 RM correctly (connect the same colours).
3. Connect the mains cable of the Combio-915 RM correctly with the mains voltage.



| Pin designation | Wire colour |
|-----------------|-------------|
| ∇/△ | Red |
| △/∇ | Black |
| N | White |
| GND | Green |

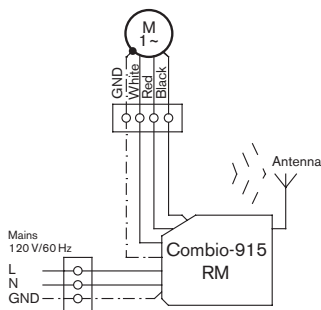
| Pin designation | Wire colour |
|-----------------|-------------|
| L | Black |
| N | White |
| GND | Green |

4. Fasten the radio receiver.
5. Switch the mains voltage on again.
6. Programme the transmitter (☛ refer to the transmitter instructions).
7. Mount the hangings and set the limit switch, provided that the limit switches have not already been set using the installation cable.

Combio-915 RM for elero tubular motors with fixed cable (CSM-E electronic drive) for textile sun protection.

Note: CSM-E drives must not be connected using the connector located on the Combio-915 RM.

- Put the drive into operation with the installation cable (programme the end positions).
- Move the hangings with the installation cable to an intermediate position.
- Switch off the mains voltage.**
- Disconnect the installation cable.
- Connect the motor cable of the drive and the cable of the Combio-915 RM correctly (connect the same colours).
- Connect the mains cable of the Combio-915 RM correctly with the mains voltage.



| Pin designation | Wire colour |
|-----------------|-------------|
| ▽/△ | Red |
| △/▽ | Black |
| N | White |
| GND | Green |

| Pin designation | Wire colour |
|-----------------|-------------|
| L | Black |
| N | White |
| GND | Green |

- Fasten the radio receiver.
- Switch the mains voltage on again.
- Programme the transmitter (refer to the transmitter instructions).

Combio-915 RM (tubular motors)

| | |
|-------------------------------|---------------------|
| Nominal voltage | 120 V |
| Frequency | 60 Hz |
| Max. | 450 W |
| Protection class | IP 54 |
| Permitted ambient temperature | -20 to +80°C |
| Radio frequency | 915,3 MHz |
| Mains cable | 2 m |
| Motor cable | 0,5 m |
| Dimensions in mm | L 100 x B 44 x H 15 |
| Max. number of transmitters | 16 |

Troubleshooting

| Problem | Cause | Solution |
|----------------------------|---|---|
| No radio reception | 1. Transmitter is not programmed. 2. No mains voltage. | 1. Program the transmitter. 2. Switch on the mains supply again. |
| Bad radio reception | Unsuitable receiver position. | Change the location of the receiver or the antenna. |
| Inverted sense of rotation | Sense are programmed incorrectly. | Delete transmitter and program correctly. |

