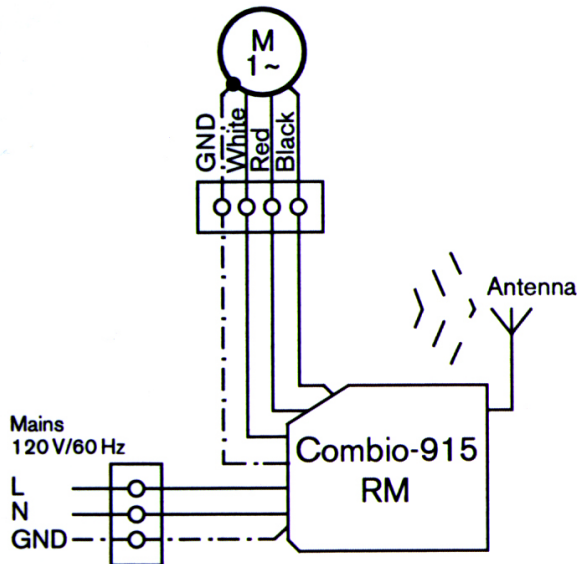
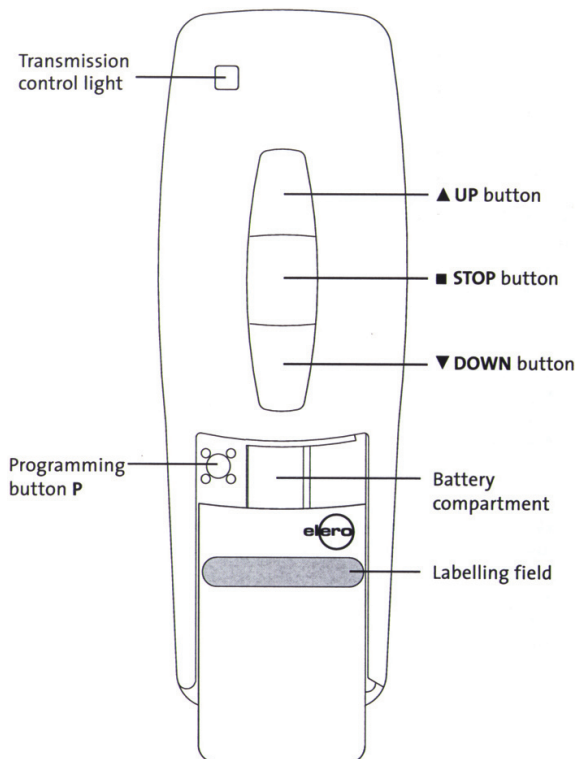


Combio Quick Start Directions



Wiring Instructions

1. Wire 3 wire end of combo as follows:
Black= Line/Power
Green= Ground
White= Neutral
2. Wire 4 wire end of combo as follows:
Black to Black on motor
Red to Red on motor
Green to Green on motor
White to White on motor



Programming Instructions

1. After wiring combo to power and motor, **press P**, on remote control. The motor will begin to turn Open and Close.
2. When motor begins to turn in Open/Up direction, **press Open/Up** button on remote control. The motor will pause for a moment and then continue cycling Open and Close/Down.
3. When motor turns in Close/Down direction, **press Close/Down** button. Motor will pause.
4. At this point motor will stop moving.

Note: If motor continues to move, motor is not programmed.

Important: When pressing direction button, press hard and continuously. If motor does not pause while programming direction, the instruction was not received by motor.