

WKS-PEZ-RS

Key Features

- 16-step timer
- Astro program
- Automatically adjusts for sunrise and sunset

Automatic Time & Sun Control

The WKS PEZ-RS is an economically priced, yet advanced automated controller within the family of WKS automatic controls. This program includes the WKS PEZ-R Timer, WKS PEZ-RS Timer and Light Control Combination, WKS Sonneboy Sun, Wind Control and the WKS IR Infrared Remote Control, as well as a full line of motor, sub group and group controls.

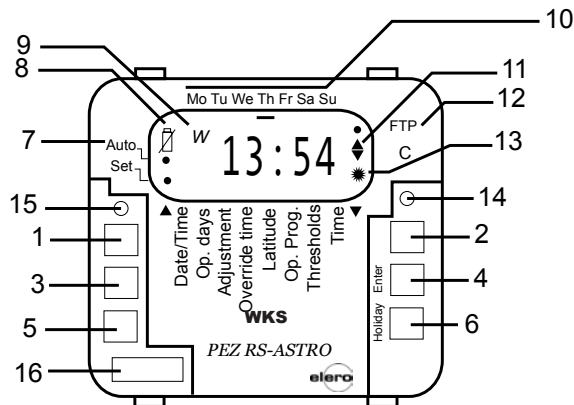
With the WKS PEZ-RS, Elero offers a truly advanced automatic program to control and automate the operation of most any kind of window covering. The WKS PEZ-RS combines a versatile programmable timer with a light sensor. The combination of these two functions provides the most commonly required automation feature for residential or business use. The timer operates with a series of automatic open and closing settings to control blinds or shades, even while unattended. The light controller adds the automatic protection feature when sun intensity exceeds a chosen level. The WKS PEZ-RS is compact, attractively styled, relatively easy to program, and painless to install.



Principal Features of the WKS PEZ-RS

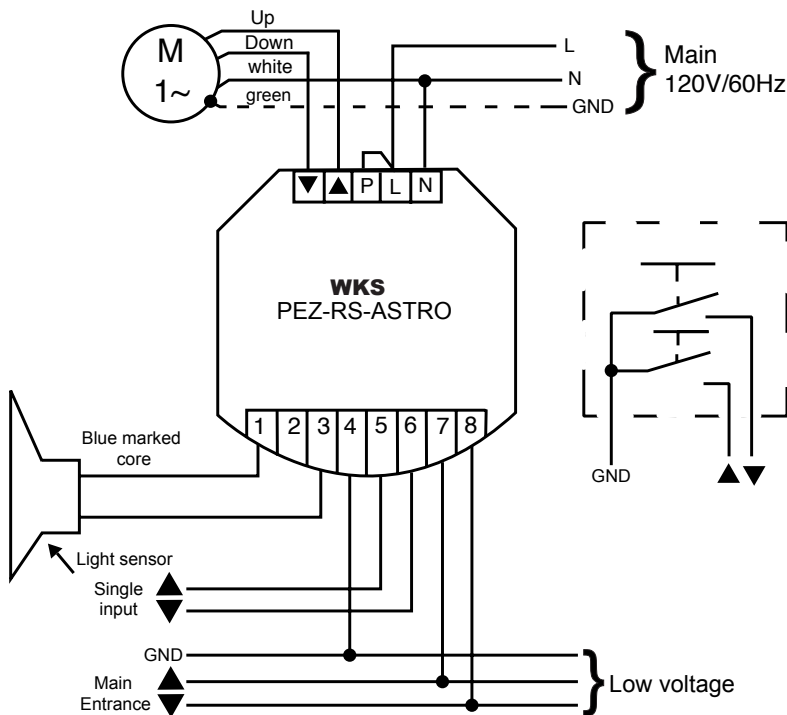
- The WKS PEZ-RS can be operated automatically by means of a programmable microprocessor or it can be put in a manual operation mode by means of a switch located on the face plate.
- The WKS PEZ-RS can be set for automatic operation by timer or light sensor by selecting the automatic mode with a push of the button.
- Adjustable light intensity level and time delay.
- When the automatic setting is "on," the movement can be overridden or controlled any time by manual control ▲ up or ▼ down buttons on the face plate.
- The timer and sensor operate independently and complement each others' functions.
- The program offers 16 commands (16 records), 8 cycles (up and down/open and close) which can be set for one day or as many days of the week as desired.
- Random timing program can be selected for added security to provide up to 30 minutes deviation from "set" time. This will ensure a lived-in look for residences during absence.
- A unique "Astro" program allows a person to open shades in the morning and close them in the evening based on the seasonally changing time of sunrise and sunset. Multiple latitude selections and time off sets allows one to customize this feature for the specific geographical location.

Control Panel Description



| No. | Function |
|-----|------------------------------------|
| 1 | [UP] Command Key |
| 2 | [DOWN] Command Key |
| 3 | [PROG] Key |
| 4 | [ENTER] Key |
| 5 | [AUTO] Key |
| 6 | Holiday Key |
| 7 | Automatic On/Off indicator |
| 8 | Battery indicator |
| 9 | Summer/winter time indicator |
| 10 | Weekday indicator |
| 11 | Command indicator |
| 12 | Final top position indicator (FTP) |
| 13 | Excess light intensity indicator |
| 14 | C-Key |
| 15 | [Set] Key programming protection |
| 16 | Connection socket light sensor |

Wiring Diagram



Technical Data

| Parameters | Value |
|-----------------------------|----------------|
| Voltage | 120 V |
| Frequency | 60 Hz |
| Current consumption | 5.5 mA |
| Switching current | 4A |
| Pulse duration (adjustable) | 30 sec- 3 min. |