

WKS-Primus Control

Key Features

- *Low voltage switchable*
- *24-hour timer*
- *Individual and group remote switches*
- *Compatible with home automation*



The Primus Controller combines the features of a multifunctional motor control and that of an automatic timer into one versatile unit. It is the basic building block of the WKS line.

The unit can either be recessed in a standard switchbox to operate as a wall switch, decentralized in a junction box near the application, or centralized in a group location. It operates 110/120V AC motors by means of a low voltage switch or low voltage signal from another control such as one for home automation.

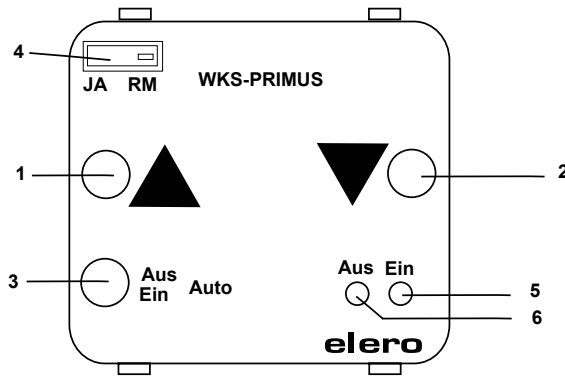
A virtually unlimited number of Primus controllers can be connected (daisy-chained) by means of safe, low voltage wiring. This makes it easy to create groups of window treatments that can be controlled simultaneously. The control switch that connects to the final unit in such a network can be located at a convenient central location, for instance near an access door or at a bedside. A simple push on the switch when leaving the room will ensure that all shades or drapes automatically close.

Each motor in a network can always be operated individually. In addition, each controller face plate has a push button to connect it to its network or to exclude it from the network by a simple push of this button. The Primus has an attractively styled compact control panel provided with its own stylized push buttons to open or close each unit individually. Normally the panel is located near the window covering that it controls.

The Primus timer can easily be set to automatically raise and lower the treatment in a 24-hour cycle. Setting the desired operating time is done with the push buttons on the controller face plate. It will ensure that the selected shades close and open each and every day at the chosen hours. Such automatic settings do not interfere with the capability for normal opening and closing by means of a switch or control network.

Each Primus has additional terminals that make it possible to connect it either to an external switch, an automatic controller such as a sensor for light or temperature, or to an automation network.

Control Panel Description

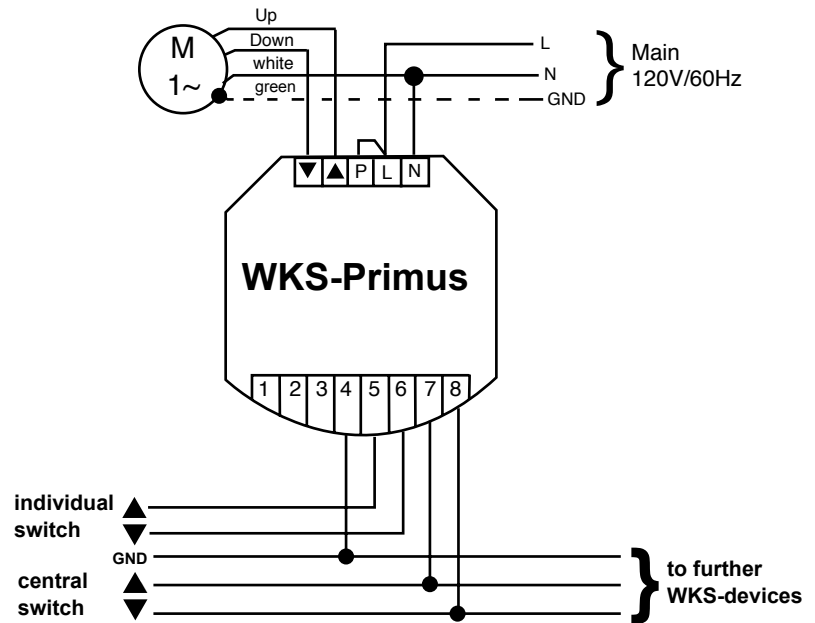


No.	Function
1	[UP] Command Button
2	[DOWN] Command Button
3	[AUTO] Button
4	Automatic operation ON/OFF
4	Operation mode selector JA/RM venetian blind drive or tubular motor
5	Indicator (green) = automatic operation ON (Ein)
6	Indicator (red) = automatic operation OFF (Aus)

Technical Data

Parameters	Value
Voltage	120 V
Frequency	60 Hz
Current consumption	4.5 mA
Switching current	4A/250V AC
Power rating	1/2 HP-240V AC 1/4 HP-120V AC
Pulse duration	approx. 3 min.
Power reserve in case of power failure	approx. 60 min.

Wiring Diagram



Your Elero supplier