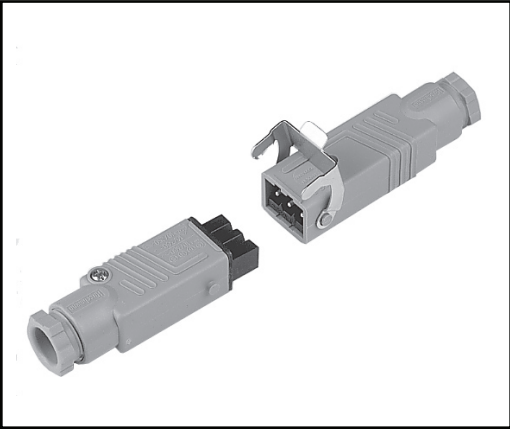


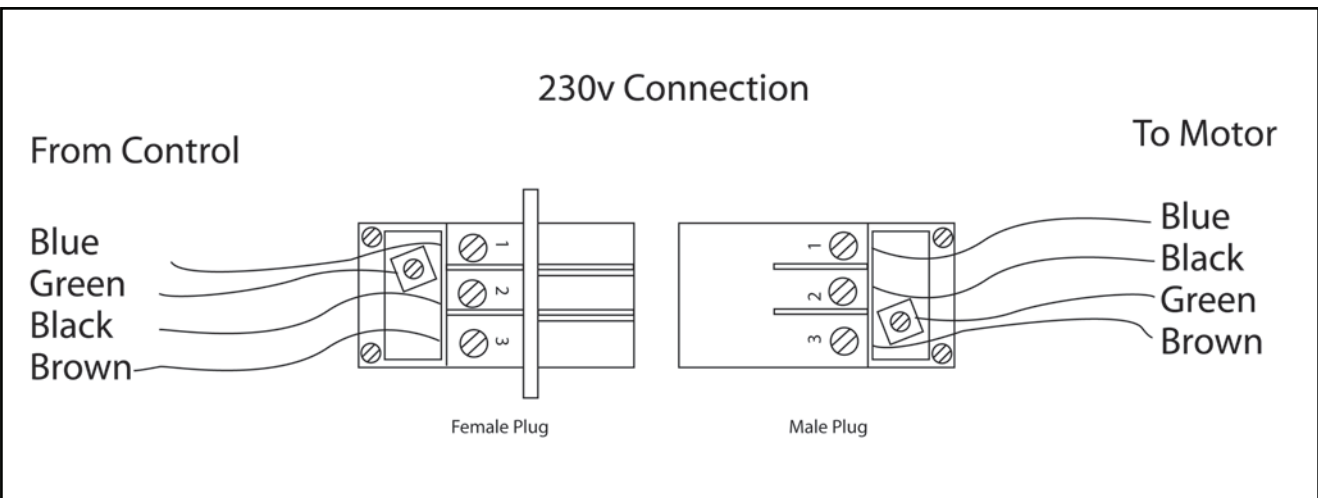
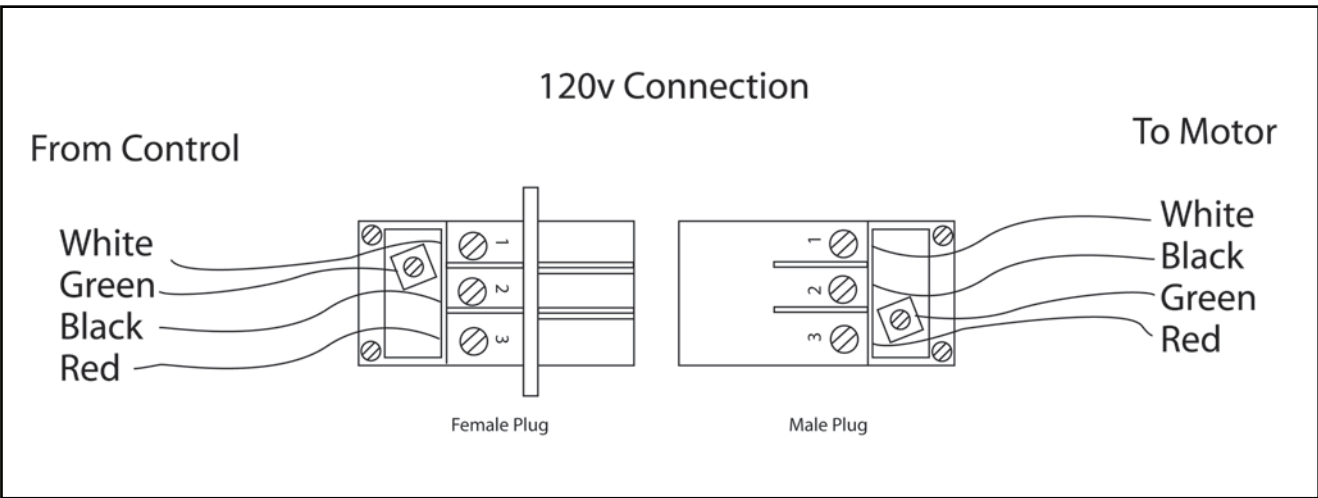
# Hirschmann Plug ST



Used for plug type connections between the switch and the motor. IP 54 enclosure. Furnished with strain relief.

Rating for 380v AC/ 450v DC  
 16 AMP  
 Max Wire Gage 16  
 3 Pole + ground

Hirschmann Plug



# Hirschmann Plug CA



Used for plug type connections between the switch and the motor. IP 67 enclosure. Furnished with strain relief.

|                 |                      |
|-----------------|----------------------|
| Rating          | for 380v AC/ 250v DC |
|                 | 16 AMP               |
| Max Wire Gage   | 16                   |
| 3 Pole + ground |                      |

Hirschmann Plug

