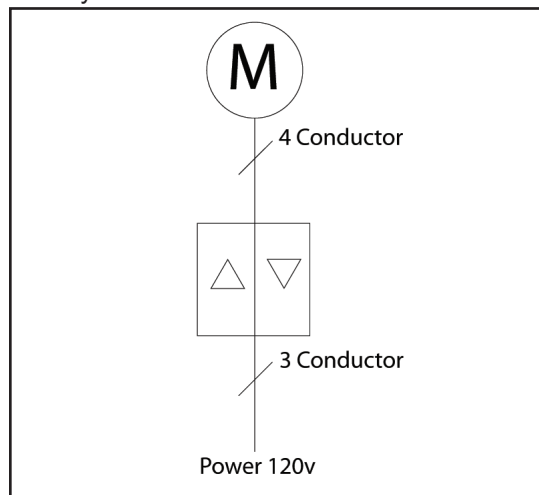


Motor Wiring System

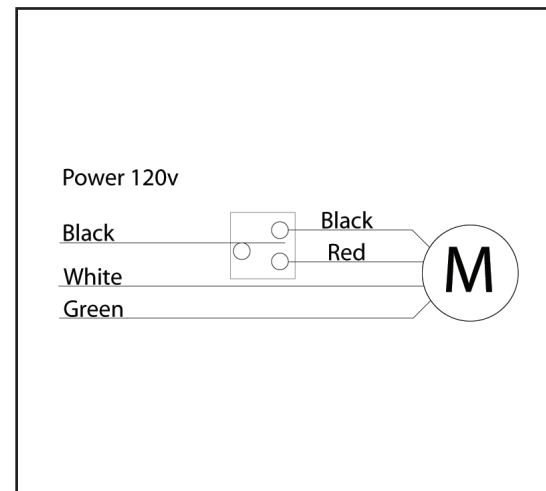
Elero tubular and JM motors are asynchronous reversible motors. Each motor is provided with a four conductor power cable containing a green ground, white neutral, and red and black power leads. Power applied to the black and white wires produces rotation in one direction, power to the red and white wires results in rotation in the opposite direction. At no time should power be applied to both the black and red wires simultaneously.

The basic electrical system consists of the incoming power supply, a switch and the motor.

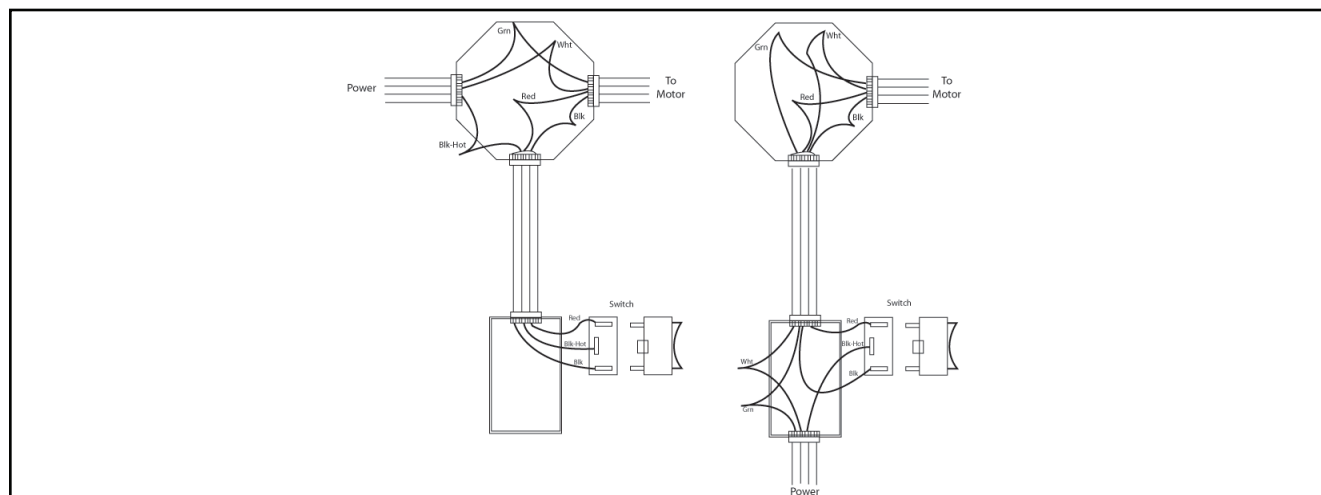
The System



The Electrical Schematic



The Actual Wiring



Elero offers a wide choice of switching devices that can be used instead of the manual switches shown here. The 3 conductor power input and 4 conductor output to the motor are consistent for all of these. The wiring of the actual switching devices will differ and are detailed in this catalog.