



Where Quality Counts

# Parts List



# Terms and Conditions of Sale

## 1. Contract

All offers, quotes and sales by Elero USA, Inc. (Elero) are subject to these Terms and Conditions of Sale. No other agreements have been made or will be valid unless expressly confirmed in writing by Elero.

## 2. ACCEPTANCE

**BY TAKING DELIVERY OF ELERO PRODUCTS, PURCHASER ASSENTS TO THE TERMS AND CONDITIONS STATED HEREIN, UNLESS OTHERWISE EXPRESSLY AGREED IN WRITING BY ELERO. ELERO HEREBY OBJECTS TO ANY DIFFERENT OR ADDITIONAL TERMS AND CONDITIONS WHICH MAY BE PROPOSED OR HAVE BEEN PROPOSED BY PURCHASER IN ANY PURCHASE ORDER FORMS OR OTHER DOCUMENTS. THE TERMS AND CONDITIONS STATED HEREIN SHALL PREVAIL OVER ANY DIFFERENT OR ADDITIONAL TERMS AND CONDITIONS PROPOSED BY PURCHASER AND SHALL APPLY TO THE SALE OR SHIPMENT OF ANY GOODS IN RESPONSE TO PURCHASER'S ORDER.**

## 3. Prices and Delivery

All quoted prices are valid for a period of 60 days from the date of issue, unless otherwise agreed by Elero in writing. Prices on accepted orders remain firm for a period of four months from the date of order acceptance, provided final delivery occurs within that period. If delivery is to occur more than four months from the date of order acceptance, prices are subject to change in accordance with any changes in the published Elero price list which occur after the date of order acceptance. All prices quoted are FOB Dallas, excluding all freight, packaging and taxes. All delivery dates are approximate.

## 4. Payment Terms

(a) Open account payment terms may be established from time to time at the sole discretion of Elero, and are subject to credit approval in writing. Terms on open accounts are payment in full, net 30 days from date of invoice. Payment terms for single transactions and transactions other than on open account are net C.O.D. or prepay unless confirmed otherwise in writing by Elero.

(b) Amounts past due are subject to a finance charge of 1.5% per month to the legal limit, and the finance charge will apply without further prior notice. In case of purchaser's delinquency in payment or insolvency, Elero retains the right to halt or interrupt all further deliveries and service to the purchaser until all past due amounts have been paid, and to require payment in advance for orders not yet delivered, without any liability resulting for Elero. Purchaser expressly agrees to indemnify Elero and hold Elero harmless from all charges and liability which might arise in any manner from purchaser's nonpayment.

## 5. Inspection, Acceptance and Claims

All claims by purchaser against Elero for shortages or damage must be made in writing to Elero within fourteen days from date of shipment from Elero's Dallas base or they are waived.

## 6. Risk of Loss

Full risk of loss, damage or destruction of the goods shall pass to purchaser upon delivery of the goods to the carrier at the point of shipment or upon delivery at storage, whichever applies.

## 7. Force Majeure

If an order cannot be completed due to causes beyond Elero's control, Elero retains the right to either cancel the uncompleted portion of the order or complete the order if and when this becomes

possible. Purchaser shall not have the right to withhold payment on delivered goods and/or services, nor to unilaterally change the order or cancel same. Force majeure includes but is not limited to strikes, lock-outs, storms, floods and the like, terrorism, wars, revolutions, major equipment failures or fire damage at production facilities, etc.

## 8. Warranty

Elero warranties are expressly limited to those persons or entities who purchase the warranted item(s) directly from Elero. They do not apply to subsequent purchasers, users or third parties. Elero warrants its motors and hardware accessories in stationary applications for rolling shutters, awnings and window coverings against defects in material and workmanship for a period of five years from date of shipment from Elero's Dallas base. Elero motors in all other applications carry a one-year warranty against defects in material and workmanship from date of shipment from Elero's Dallas base. Elero controls and electric and electronic components carry a one-year warranty against defects in material and workmanship from date of shipment from Elero's Dallas base. If any item to which the warranty applies proves to be defective during the specified warranty period under normal and proper use and provided the equipment or part has been properly stored, installed and maintained with due regard to any directives, instructions and operating procedures provided, Elero shall, upon presentation of proof of purchase, repair or replace the item at the sole option of Elero, F.O.B. Dallas. Application of the warranty will be determined by Elero technical staff after return of the item, its inspection and any necessary investigation. This warranty does not apply in case of defects resulting from faulty installation, misuse, misapplication, abuse, mishandling, shipping or failure to follow instructions. This warranty does not cover any incidental, special or consequential damages, labor on location, service calls, reinstallation, or expenses involved in shipping, packing, and returning the goods. It also does not cover damages caused by fire, flood, or act of God. Any alteration or repair other than by a factory authorized person will void this warranty. Elero warrants items repaired or replaced pursuant to the above warranty, under normal and proper use, storage, installation and maintenance, against defects in material and workmanship for a period of 30 days from date of start-up of such repaired or replaced item or the expiration of the original warranty, whichever is longer. Correction of nonconformities in the manner and for the period of time specified herein shall be purchaser's exclusive remedy and shall constitute fulfillment of all liabilities of Elero, whether in warranty, contract, negligence, tort, or otherwise with respect to the item delivered. In no event shall Elero be responsible for providing access to the allegedly defective item or for disassembly or reinstallation of such item or parts.

## 9. DISCLAIMER

**THE FOREGOING EXPRESS WARRANTIES ARE EXCLUSIVE AND IN LIEU OF ALL OTHER WARRANTIES, WRITTEN, ORAL OR IMPLIED. ALL OTHER WARRANTIES, INCLUDING ANY WARRANTY OF MERCHANTABILITY OR FITNESS FOR A PARTICULAR PURPOSE, ARE HEREBY DISCLAIMED.**

## 10. LIMITED LIABILITY

**ELERO'S LIABILITY FOR ANY AND ALL CLAIMS, CHARGES, EXPENSES, DAMAGES, LOSSES AND INJURIES ARISING OUT OF OR RELATING TO ITS PERFORMANCE OR BREACH OF**

**ANY AGREEMENT OF SALE FOR GOODS AND/OR THE MANUFACTURE, SALE, DELIVERY, RESALE, REPAIR OR USE OF ANY GOODS SHALL NOT EXCEED THE PURCHASE PRICE OF SUCH GOODS, REGARDLESS WHETHER THE CLAIM IS BASED ON CONTRACT, TORT, NEGLIGENCE, STATUTE, STRICT LIABILITY, WILLFUL OR WANTON CONDUCT, WARRANTY (EXPRESS OR IMPLIED), OR OTHERWISE. THIS SHALL BE PURCHASER'S SOLE AND EXCLUSIVE REMEDY AGAINST ELERO OTHER THAN THE REMEDY PROVIDED FOR UNDER THE EXPRESS ELERO WARRANTIES. IN NO EVENT SHALL ELERO BE LIABLE FOR INCIDENTAL, SPECIAL, CONSEQUENTIAL OR EXEMPLARY DAMAGES.**

## 11. ARBITRATION

**ELERO AND PURCHASER AGREE THAT THIS TRANSACTION INVOLVES INTERSTATE COMMERCE AND THAT AT THE OPTION OF ELERO, ANY DISPUTE RELATING TO IT IN ANY MANNER SHALL BE SUBMITTED TO BINDING ARBITRATION BEFORE THE AMERICAN ARBITRATION ASSOCIATION AND SHALL BE GOVERNED BY THE FEDERAL ARBITRATION ACT OR, IF THAT STATUTE IS INAPPLICABLE, ANY DISPUTE SHALL BE GOVERNED BY THE TEXAS ARBITRATION ACT; HOWEVER, NO ARBITRATOR MAY AWARD PUNITIVE DAMAGES. PURCHASER AGREES TO PAY ALL COSTS INCURRED BY ELERO, INCLUDING BUT NOT LIMITED TO COSTS OF ARBITRATION, COLLECTION, REASONABLE ATTORNEY'S FEES, EXPENSES AND ANY COURT COSTS.**

## 12. Return

No goods may be returned without the express written approval of Elero and the receipt of an Elero RGA identification number. Goods approved for return must be returned in original packaging, freight prepaid, clearly marked with the Elero RGA identification number and be accompanied by a copy of the original invoice. Application of the warranty will be determined by Elero technical staff after return of the item, its inspection, and any necessary investigation. A restocking charge of 25% of invoice value will apply on all items accepted for return.

## 13. Liens and Security Interest

Purchaser will not permit to be created or to remain undischarged any lien, encumbrance or charge upon the goods supplied by Elero until Elero has received payment in full for such goods. If any liens, encumbrances or charges shall be filed against Elero goods prior to payment in full, purchaser shall discharge the liens, encumbrances or charges within ten days and reimburse Elero for expenses incurred in defending its security interest. Title to the goods shall remain with Elero until payment in full has been received.

## 14. Statute of Limitations

Any action against Elero shall be commenced within one year after the cause of action has arisen.

## 15. Choice of Law and Venue

The rights and duties of the parties hereunder and the construction and effect of these terms and conditions shall be governed by the laws of the State of Texas. Venue shall lie in Dallas, Texas, to the exclusion of any other jurisdiction.

16. This agreement supersedes any inconsistent or additional promises made by any employee, representative, agent or dealer of Elero.

17. If any part of this agreement is found invalid, the balance of the agreement remains enforceable.



Where Quality Counts

## Warranty

Elero warranties are expressly limited to those persons or entities who purchase the warranted item(s) directly from Elero. They do not apply to subsequent purchases, users or third parties. Elero USA warrants its motors and hardware accessories in stationary applications for rolling shutters, awnings and window coverings against defects in material and workmanship for a period of five years from date of shipment from Elero USA's Dallas base. Elero motors in all other applications carry a one-year warranty against defects in material and workmanship from date of shipment from Elero's Dallas base. Elero controls and electric and electronic components carry a one-year warranty against defects in material and workmanship from date of shipment from Elero's Dallas base. If any item to which the warranty applies proves to be defective during the specified warranty period under normal and proper use and provided the equipment or part has been properly stored, installed and maintained with due regard to any directives, instructions and operating procedures provided, Elero USA shall, upon presentation of proof of purchase, repair or replace the item at the sole option of Elero USA, F.O.B. Dallas. Application of the warranty will be determined by Elero USA technical staff after return of the item, its inspection and any necessary investigation.

This warranty does not apply in case of defects resulting from faulty installation, misuse, misapplication, abuse, mishandling, shipping or failure to follow instructions. This warranty does not cover any incidental, special or consequential damages, labor on location, service calls, reinstallation, or expenses involved in shipping, packing, and returning the goods. It also does not cover damages caused by fire, flood, or act of God. Any alteration or repair other than by a factory authorized person will void this warranty. Elero USA warrants items repaired or replaced pursuant to the above warranty, under normal and proper use, storage, installation and maintenance, against defects in material and workmanship for a period of 30 days from date of start-up of such repaired or replaced item or the expiration of the original warranty, whichever is longer.

Correction of nonconformities in the manner and for the period of time specified herein shall be purchaser's exclusive remedy and shall constitute fulfillment of all liabilities of Elero USA, whether in warranty, contract, negligence, tort, or otherwise with respect to the item delivered. In no event shall Elero USA be responsible for providing access to the allegedly defective item or for disassembly or reinstallation of such item or parts.

### **DISCLAIMER**

THE FOREGOING EXPRESS WARRANTIES ARE EXCLUSIVE AND IN LIEU OF ALL OTHER WARRANTIES, WRITTEN, ORAL OR IMPLIED. ALL OTHER WARRANTIES, INCLUDING ANY WARRANTY OF MERCHANTABILITY OR FITNESS FOR A PARTICULAR PURPOSE, ARE HEREBY DISCLAIMED.

### **LIMITED LIABILITY**

**ELERO'S LIABILITY FOR ANY AND ALL CLAIMS, CHARGES, EXPENSES, DAMAGES, LOSSES AND INJURIES ARISING OUT OF OR RELATING TO ITS PERFORMANCE OR BREACH OF ANY AGREEMENT OF SALE FOR GOODS AND/OR THE MANUFACTURE, SALE, DELIVERY, RESALE, REPAIR OR USE OF ANY GOODS SHALL NOT EXCEED THE PURCHASE PRICE OF SUCH GOODS, REGARDLESS WHETHER THE CLAIM IS BASED ON CONTRACT, TORT, NEGLIGENCE, STATUTE, STRICT LIABILITY, WILLFUL OR WANTON CONDUCT, WARRANTY (EXPRESS OR IMPLIED), OR OTHERWISE. THIS SHALL BE PURCHASER'S SOLE AND EXCLUSIVE REMEDY AGAINST ELERO USA OTHER THAN THE REMEDY PROVIDED FOR UNDER THE EXPRESS ELERO WARRANTIES. IN NO EVENT SHALL ELERO USA BE LIABLE FOR INCIDENTAL, SPECIAL, CONSEQUENTIAL OR EXEMPLARY DAMAGES.**

### **ARBITRATION**

**ELERO AND PURCHASER AGREE THAT THIS TRANSACTION INVOLVES INTERSTATE COMMERCE AND THAT AT THE OPTION OF ELERO, ANY DISPUTE RELATING TO IT IN ANY MANNER SHALL BE SUBMITTED TO BINDING ARBITRATION BEFORE THE AMERICAN ARBITRATION ASSOCIATION AND SHALL BE GOVERNED BY THE FEDERAL ARBITRATION ACT OR IF THAT STATUTE IS INAPPLICABLE, ANY DISPUTE SHALL BE GOVERNED BY THE TEXAS ARBITRATION ACT; HOWEVER, NO ARBITRATOR MAY AWARD PUNITIVE DAMAGES. PURCHASER AGREES TO PAY ALL COSTS INCURRED BY ELERO USA, INCLUDING BUT NOT LIMITED TO COSTS OF ARBITRATION, COLLECTION, REASONABLE ATTORNEY'S FEES, EXPENSES AND ANY COURT COSTS.**

### **RETURN**

No goods may be returned without the express written approval of Elero USA and the receipt of an Elero RGA identification number. Goods approved for return must be returned in original packaging, freight prepaid, clearly marked with the Elero RGA identification number and be accompanied by a copy of the original invoice. Application of the warranty will be determined by Elero technical staff after return of the item, its inspection, and any necessary investigation. A restocking charge of 25% of invoice value will apply on all items accepted for return.





Where Quality Counts

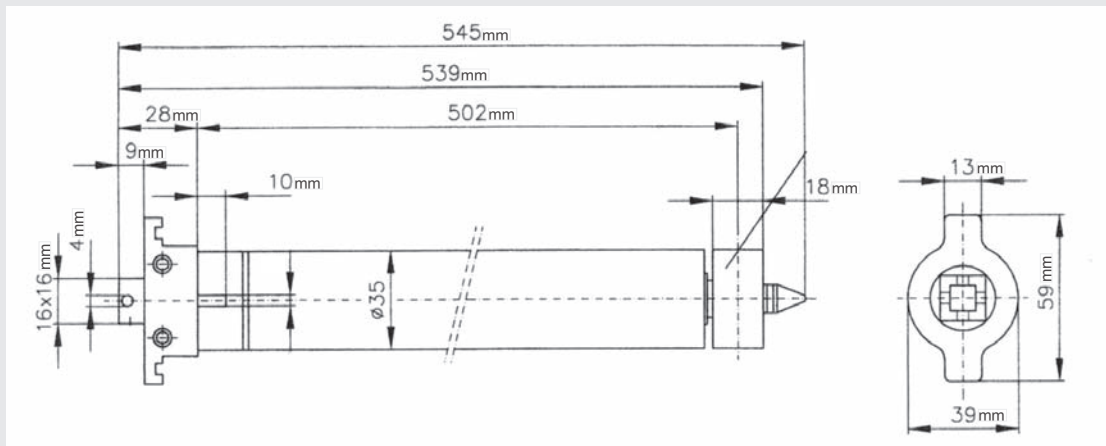
## Table of Contents

8 Series Motors and Accessories	Page 7-10
9 Series Motors and Accessories	Page 11-16
11 Series Motors and Accessories	Page 27-40
15 Series Motors and Accessories	Page 41-44
JA Motors and Accessories	Page 45-48
Box 5 Motors and Accessories	Page 49-50
DFM Motors and Accessories	Page 51-52
Controls	Page 53



## 8 Series Motors and Accessories

Standard Motor



# 8 Series Motors and Accessories



**Part Number**

**Description**

**Motors 35mm O.D.**

31.761.0001

Motor, RM 8/05 - 5 NM, 15 RPM

31.771.0001

Motor, RM 8/03 - 3 NM, 27 RPM



13.109.6001

Shaft, Type 8 Mounting



13.107.3501

**Adaptors** (See adaptor drawings at the end of this section.)

Adaptor Drive (8) 38mmx1mm, Round

23.593.0001

Adaptor Set (8) 40mmx1mm, Round

23.590.0001

Adaptor Set (8) 42mmx1mm, Round

23.520.0001

Adaptor Set (8) 50mm, Round

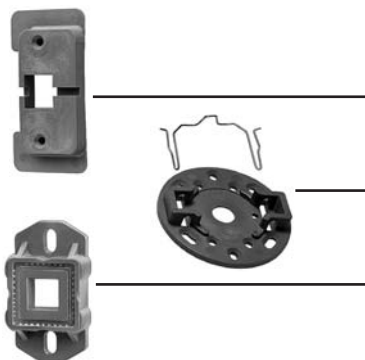


23.591.0001

Adaptor Set (8) 40mmx1mm, Oct (Steel Tube)

23.872.0001

Adaptor Set (8) 40mmx1mm, Oct (Alum. Tube)



13.107.3401

**Motor Mounting Brackets**

Motor Bracket (8) Composite 16mmx16mm

23.108.0001

Flush Mount Bracket (8)

23.662.0001

Motor Bracket, Insulated 16mmx16mm

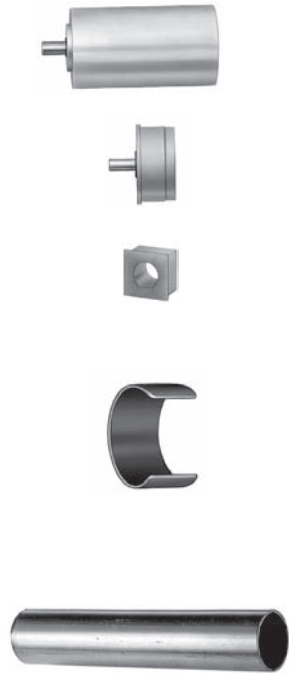


13.109.1701

Motor Bracket, Composite 16mmx16mm

13.109.1801

Idler Bracket, Composite



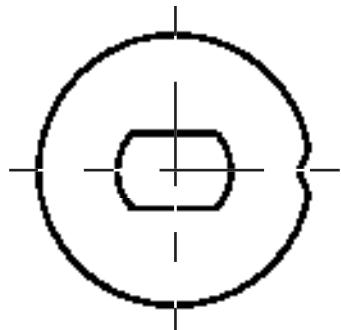
Part Number	Description
<b>Idlers and Bearings</b>	
23.570.0001	Idler Insert Long 40mmx1mm
23.653.0101	Idler, 40mm w/10mmx12mm Shaft
23.653.0001	Idler, 40mm w/10mmx18mm Shaft
13.301.1901	Idler Bearing Insert For 16mmx16mm Bracket
<b>Tube Mounting Accessories</b>	
13.301.1601	Fabric Clip, 40mm
<b>Aluminum Tubes</b>	
18.033.1366	Tube, Aluminum 40mmx1mmx19ft
75.033.1366	Tube, Aluminum 40mmx1mm (Per Ft)
75.600.4003	Tube, Aluminum 40mm Oct (Per Ft)

# 8 Series Adaptor Drawings

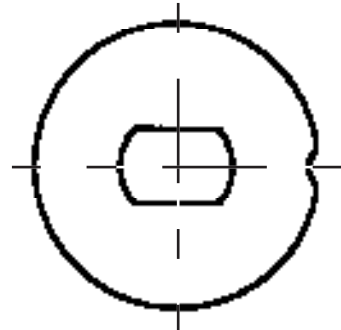
Drawing Scale 1:1  
Dimensions shown are  
tube OD x wall thickness

8 Series

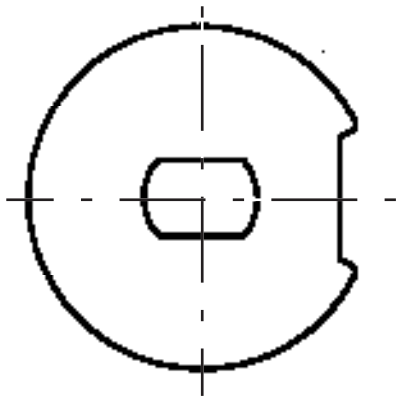
38mmx1mm, Round  
13.107.3501



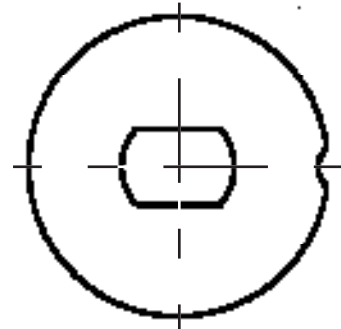
40mmx1mm, Round  
23.593.0001



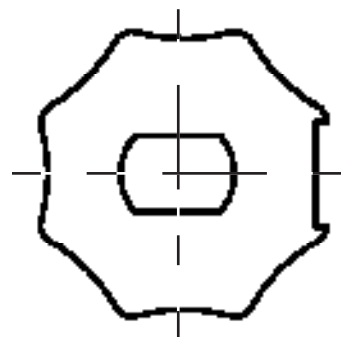
50mm, Round  
23.520.0001



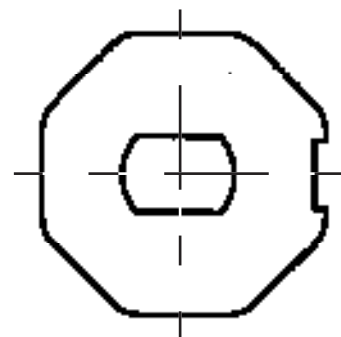
42mmx1mm, Round  
23.590.0001



40mmx1mm, Oct  
23.872.0001

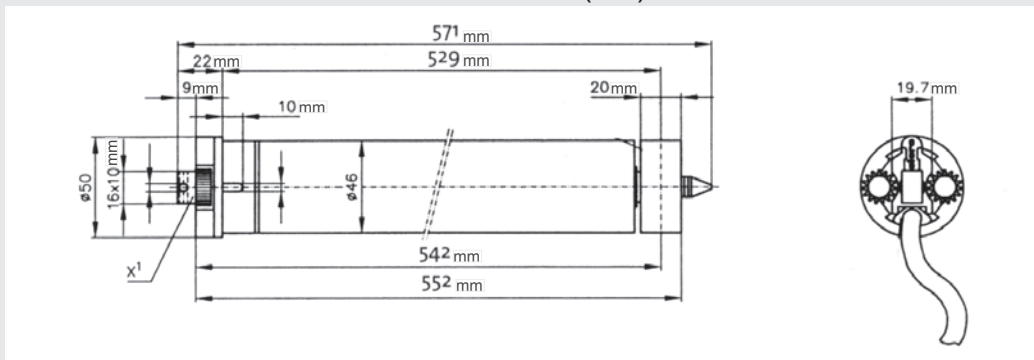


40mmx1mm, Oct  
23.591.0001

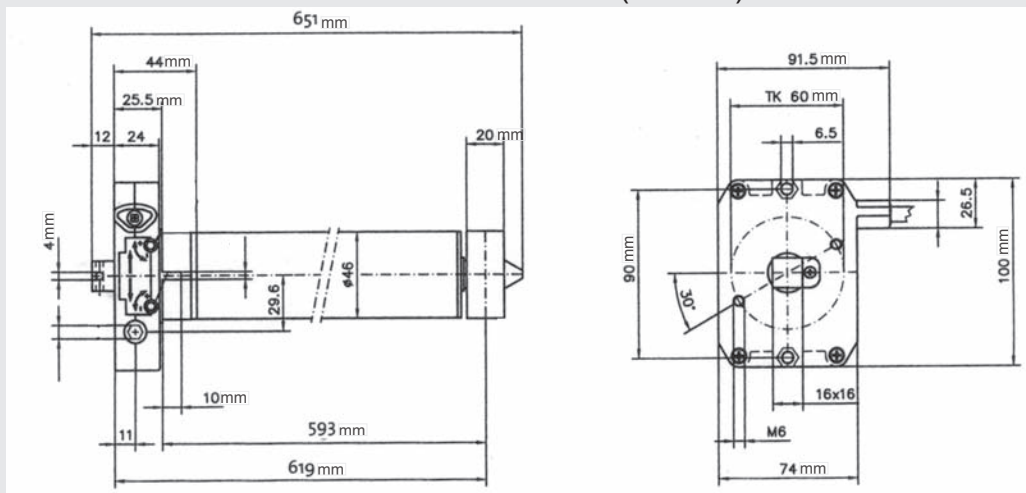


## 9 Series Motors and Accessories

Standard Motor (9/4)



Manual Override Motor (9/4 MO)



# 9 Series Motors and Accessories



## Part Number

## Description

### Motors 46mm O.D.

31.312.0001	Motor, RM 9/05/80 - 5 NM, 80 RPM
31.312.0035	Motor, RM 9/05/80, 32 Turn - 5 NM, 80 RPM
31.571.0001	Motor, RM 9/07/30 - 7 NM, 30 RPM
31.571.0035	Motor, RM 9/07/30, 32 Turn - 7 NM, 30 RPM
31.811.0001	Motor, RM 9/1/30 - 10 NM, 30 RPM
31.811.0035	Motor, RM 9/1/30, 32turn - 10 NM, 30 RPM
31.531.0001	Motor, RM 9/1 - 10 NM, 16 RPM
31.531.0035	Motor, RM 9/1, 32 Turn - 10 NM, 16 RPM
31.511.0002	Motor, RM 9/1.8 - 18 NM, 16 RPM
31.511.0035	Motor, RM 9/1.8, 32 Turn - 18 NM, 16 RPM
31.521.0001	Motor, RM 9/2.5 - 25 NM, 12 RPM
31.521.0035	Motor, RM 9/2.5, 32turn - 25 NM, 12 RPM
31.232.0001	Motor, RM 9/3.3 - 33 NM, 12 RPM
31.232.0035	Motor, RM 9/3.3, 32 Turn - 33 NM, 12 RPM
31.242.0001	Motor, RM 9/4 - 40 NM, 12 RPM
31.242.0035	Motor, RM 9/4, 32 Turn - 40 NM, 12 RPM
31.031.0003	Motor, RM 9/1 MO Pass Thru - 10 NM, 16 RPM
31.041.0003	Motor, RM 9/1.8 MO Pass Thru - 18 NM, 16 RPM
31.051.0003	Motor, RM 9/2.5 MO Pass Thru - 25 NM, 12 RPM
31.272.0002	Motor, RM 9/3.3 MO Pass Thru - 33 NM, 12 RPM
31.282.0002	Motor, RM 9/4 MO, Pass Thru - 40 NM, 12 RPM
91.312.0001	Motor, RM 9/05/80 ITec - 5 NM, 80 RPM
91.571.0001	Motor, RM 9/07/30 ITec - 7 NM, 30 TPM
91.531.0001	Motor, RM 9/1 ITec - 10NM, 16 RPM
91.511.0001	Motor, RM 9/1.8 ITec - 18 NM, 16 RPM
91.521.0001	Motor, RM 9/2.5 ITec - 25 NM, 12 RPM
91.232.0001	Motor, RM 9/3.3 ITec - 33 NM, 12 RPM
91.242.0001	Motor, RM 9/4 ITec - 40 NM, 12 RPM
31.142.0001	Motor, RM 9/1 ACS - 10 NM, 16 RPM
31.152.0002	Motor, RM 9/1.8 ACS - 18 NM, 16 RPM
31.162.0001	Motor, RM 9/2.5 ACS - 25 NM, 12 RPM

Part Number	Description
-------------	-------------











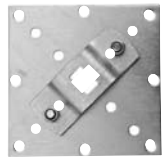
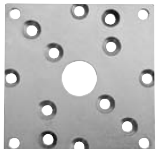
31.172.0001	Motor, RM 9/3.3 ACS - 33 NM, 12 RPM
31.182.0001	Motor, RM 9/4 ACS - 40 NM, 12 RPM

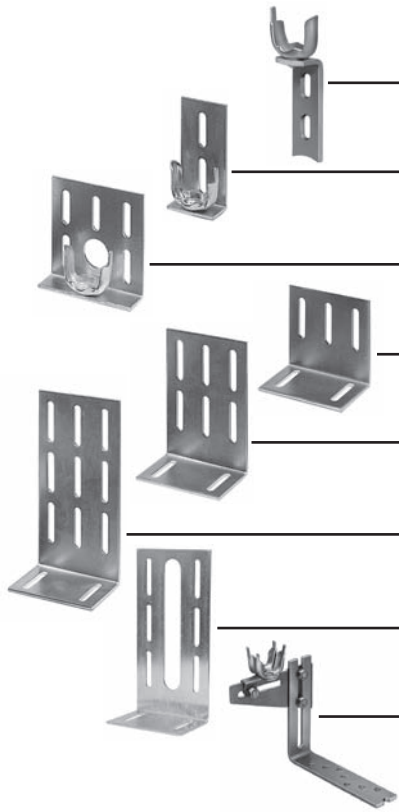
**Adaptors** (See adaptor drawings at the end of this section.)

13.105.5701	Adaptor (9) 50mmx1.5mm, Round
23.586.0001	Adaptor Set (9) 55mm
23.870.0002	Adaptor Set (9) 57mm MHZ
23.557.0001	Adaptor Set (9) 60mm, Oct
23.534.0001	Adaptor Set (9) 60mm Imbac, Oct
23.555.0001	Adaptor Set (9) 60mm, Selve, Oct
23.562.0001	Adaptor Set (9) 62mm, Le Profil
23.510.0001	Adaptor Set (9) 62mmx1.5mm, Groove
23.585.0001	Adaptor Set (9) 63mmx1.5mm, Round
23.556.0001	Adaptor Set (9) 65mm, Hex
23.546.0001	Adaptor Set (9) 70mm, Round
23.529.0001	Adaptor Set (9) 70mmx1mm, Oct
23.641.0001	Adaptor Set (9) 70mm, Groove
23.700.0001	Adaptor Set (9) 70mm, Groove
23.581.0001	Adaptor Set (9) 70mm, Perma Grove
23.559.0001	Adaptor Set (9) 70mm, Nutrohr
23.563.0001	Adaptor Set (9) 70mm, Imbac
23.516.0002	Adaptor Set (9) 70mm, Art-Profil
23.560.0001	Adaptor Set (9) 74mm, Groove
23.580.0001	Adaptor Set (9) 78mmx1mm, Round
23.600.0001	Adaptor Set (9) 78mm MHZ
23.622.0001	Adaptor Set (9) 83mmx1.5mm, Round
23.681.0001	Adaptor Set (9) 85mmx1mm, Groove
23.643.0001	Adaptor Set (9) 85mm, Groove



# 9 Series Motors and Accessories

	Part Number	Description
	13.301.4601	<b>Motor Mounting Brackets</b> Motor Bracket (9) Wall Type
	13.300.0602	Motor Bracket (9) Fork Type
	13.300.0801	Motor Bracket (9) Curved, 16mmx10mm
	13.106.1701	Motor Bracket (9) For 10mmx16mm Shaft
	13.301.7001	Motor Bracket, Flat 10mmx16mm
	13.301.0801	Wall Bracket, Star
	13.106.3501	Motor Bracket, Star, Curved
	13.103.3901	Motor Bracket, Star, Flat
	23.107.0001	Motor Bracket (9) Flush Mount w/Plate
	13.107.0001	Motor Bracket (9) Flush Mount
	23.832.0001	Mounting Plate w/10mmx16mm Motor Bracket
	13.109.2901	Mounting Plate 100mmx100mm



**Part Number**

**Description**

13.300.8901

Bearing Bracket, Single

23.853.0001

Bearing Bracket, 45mm Wide

23.852.0001

Bearing Bracket, 90mm Wide

13.110.5001

L-Bracket, 1-Slot

13.110.5101

L-Bracket, 2-Slot

13.110.5201

L-Bracket, 3-Slot

92.110.5201

L-Bracket, 3-Slot, Center Support

13.300.9001

Bearing Bracket, Double

13.110.5301

Flush Bracket (9) GC

92.110.2501

Carriage Bolt 1/4-20x5/8"

92.110.2502

Carriage Bolt 1/4-20x3/4"

92.110.2510

Lock Nut, Nylon Insert, 1/4-20



13.109.1701

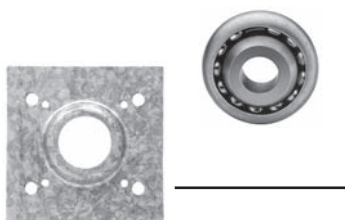
Motor Bracket, Composite

13.109.1801

Idler Bracket, Composite

13.108.0201

Shaft Insert, Composite Bracket



13.301.6101

Roller Bearing, 18mm Shaft

13.300.8601

Roller Bearing, 10mm Shaft

13.300.8701

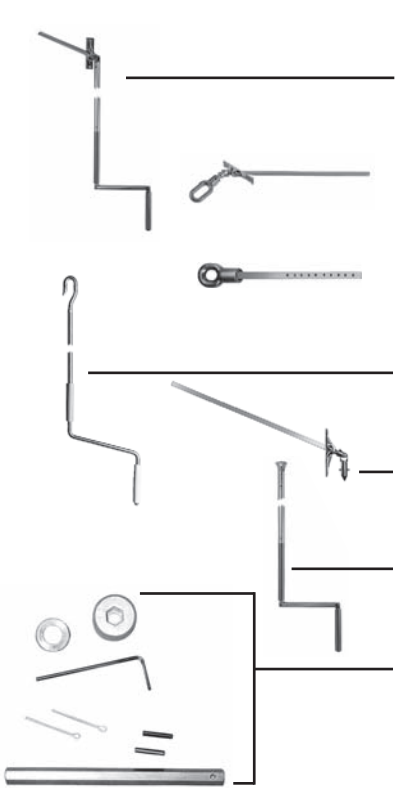
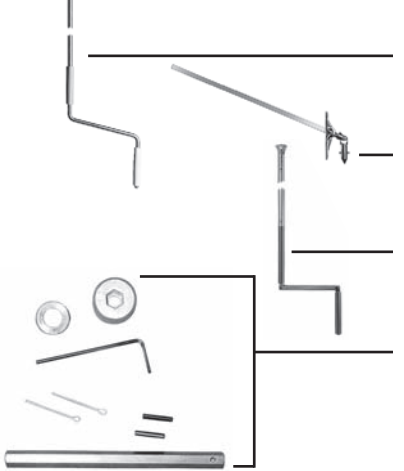

Roller Bearing, 13mm Shaft

92.110.0003

Bearing Retainer, Surface Mount

# 9 Series Motors and Accessories

	Part Number	Description
	13.108.0801	<b>Idlers</b> Idler w/Set Screw 50mmx1.5mm
	23.470.0001	Idler, Adjustable 50mmx1.5mm
	23.574.0001	Idler Insert 50mmx1.5mm, 18mm Shaft
	23.574.0101	Idler Insert 50mmx1.5mm, 12mm Shaft
	23.573.0001	Idler Insert Long 50mmx1.5mmx18mm
	23.573.0101	Idler Insert Long 50mmx1.5mmx12mm
	13.110.5501	Idler Insert 55mmX35mm
	13.110.5401	Idler Insert 55mmX30mm
	23.512.0001	Idler, 55mm Adjustable
	23.587.0101	Idler 55mm Elero Tube
13.102.6301	Idler 55mm For 28mm Bearing	
23.460.0001	Idler, Adjustable, 63mmx1.5mm, Composite	
23.409.0001	Idler Insert, 63mmx1.5mm, 10mm Shaft	
23.462.0001	Idler Insert, 78mmx1mm, 10mm Shaft	
23.463.0001	Idler Insert, 83mmx1mm, 10mm Shaft	
	23.436.0001	<b>Center Supports</b> Center Support 63mmx1.5mm
	23.435.0001	Center Support 78mm
	23.597.0001	Coupling Assembly, 50mm, For Bearing

	Part Number	Description	
		<b>Manual Override Accessories</b>	
	23.764.0002	Hand Crank w/U-Jt 7mm Hex Shaft	
	23.731.0002	U-Joint w/Awning Loop 7mm Hex	
	23.771.0002	Awning Loop w/7mm Hex X 180mm	
	12.300.0901	Hand Crank With Hook	
	23.772.0002	U-Joint W/7mm Hex X 300mm Shaft	
	23.773.0001	Hand Crank w/Bayonet Coupler	
	23.162.0301	MO Shaft Adaptor 7 Hex X 8 Sq	
			<b>Aluminum Tubes</b>
		18.033.1363	Tube, Aluminum 55mmx13ft Length
		75.033.1363	Tube, Aluminum, 55mm (per Ft)
75.600.0578		Tube, Aluminum, 78mmx20ft Length	
75.600.0501		Tube, Aluminum, 2"X20ft Length	
75.600.0500	Tube, Aluminum, 2" (per Ft)		

# 9 Series Motors and Accessories



**Part Number**

**Description**

**Tube Mounting Accessories**

13.300.6601

Clip, 55mm For Shutter Strap

13.301.6201

Fabric Clip, 55mm

75.660.0030

Fabric Clip 2"

75.207.7530

Lift Tape, 7.6mm, 50m/Roll

75.207.7531

Lift Tape, 7.6mm, (Per Ft)

75.660.0050

Tape Reel, 7.6mm

**Accessories**

23.601.0201

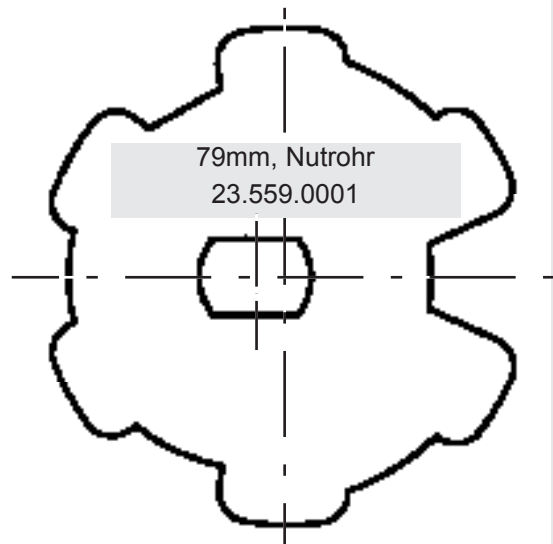
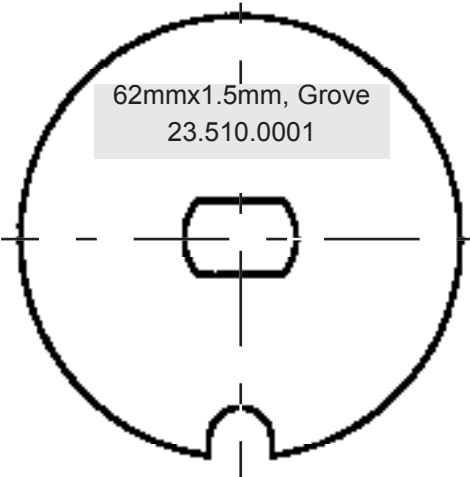
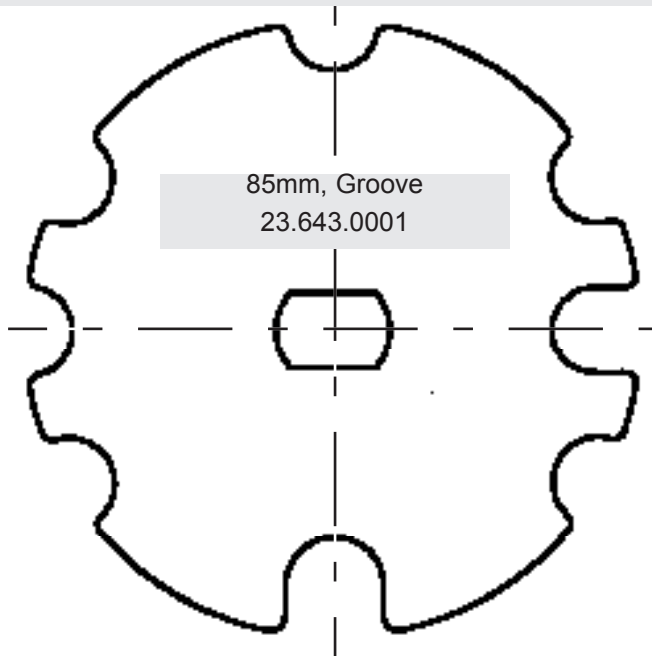
Screwdriver, Flexible

13.107.0202

Motor Shaft Insert, 10mmx10mm

# 9 Series Adaptor Drawings

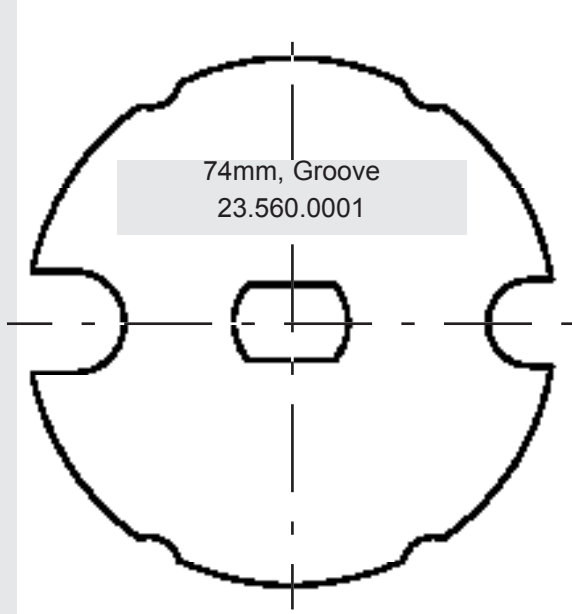
Drawing Scale 1:1  
Dimensions shown are  
tube OD x wall thickness



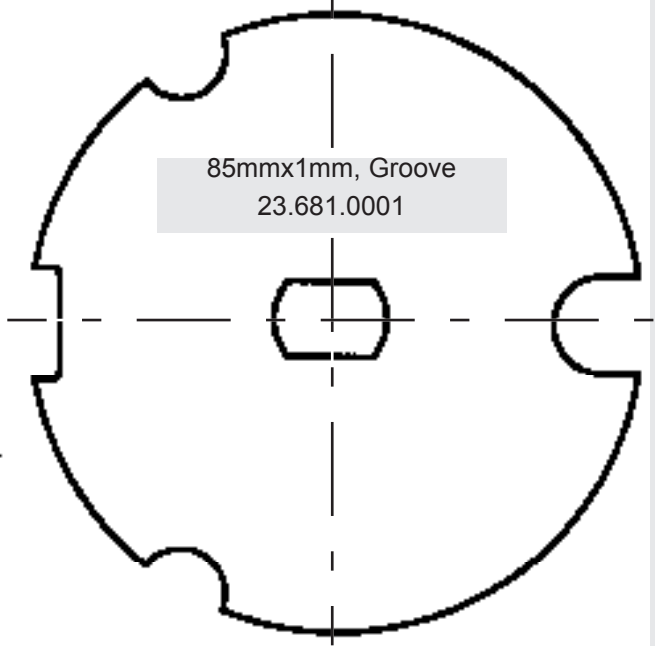
# 9 Series Adaptor Drawings

Drawing Scale 1:1  
Dimensions shown are  
tube OD x wall thickness

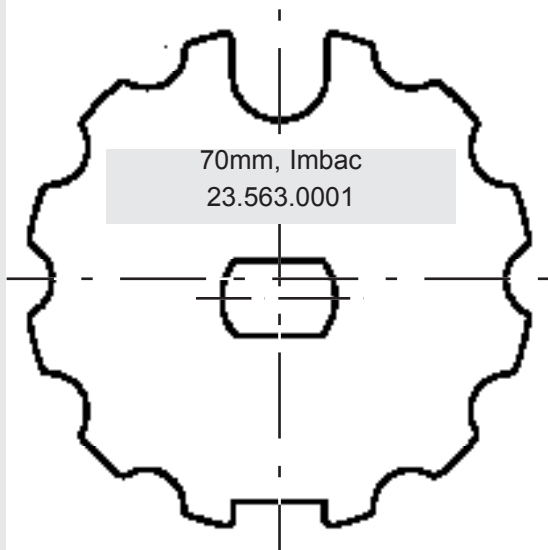
9 Series



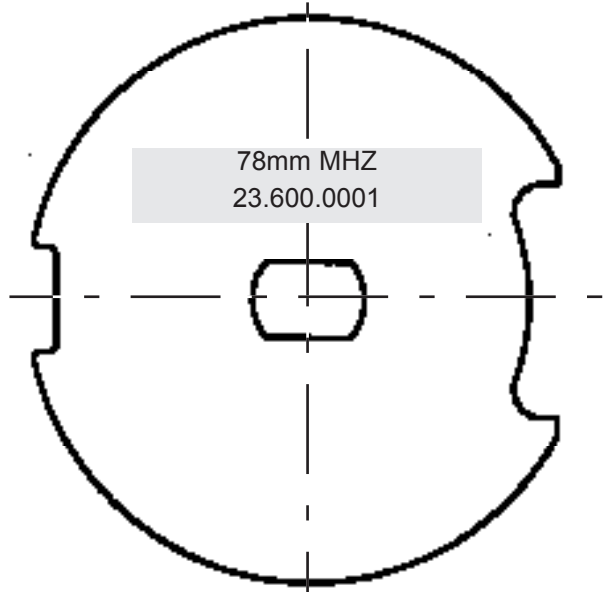
74mm, Groove  
23.560.0001



85mmx1mm, Groove  
23.681.0001



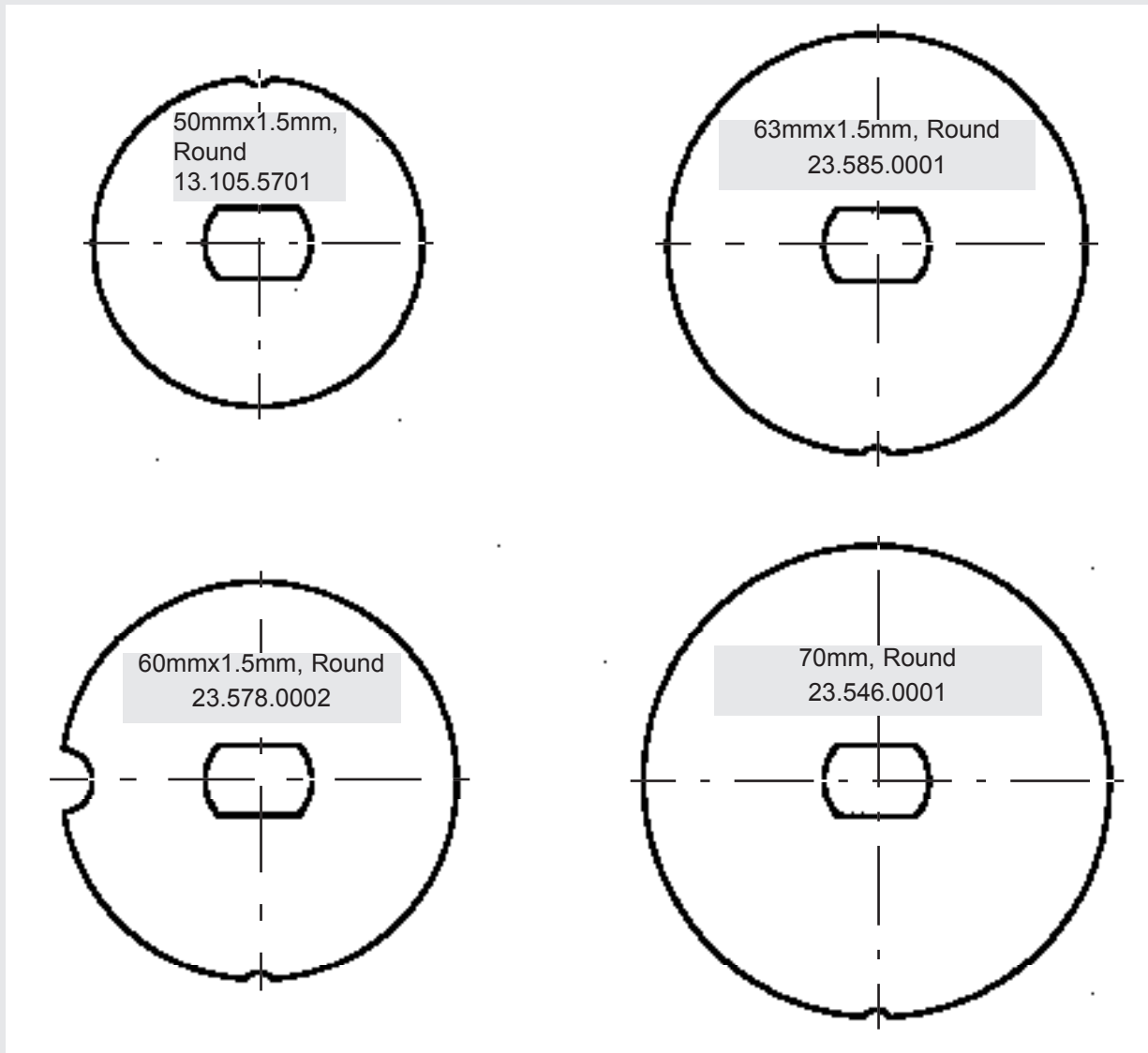
70mm, Imbac  
23.563.0001



78mm MHZ  
23.600.0001

# 9 Series Adaptor Drawings

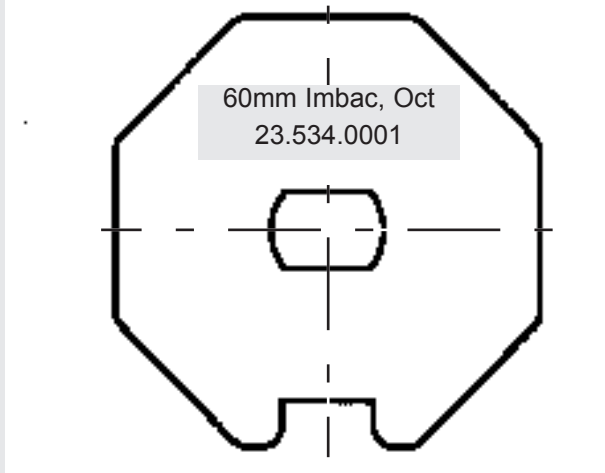
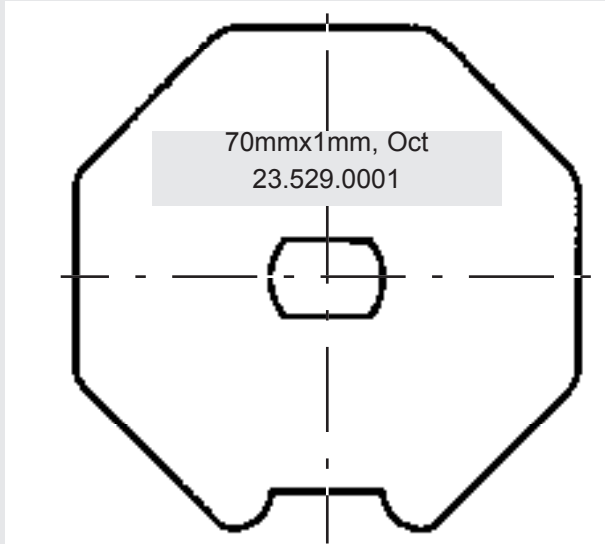
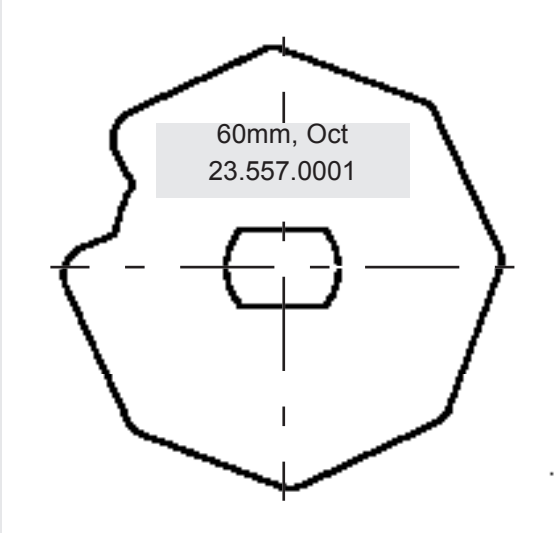
Drawing Scale 1:1  
Dimensions shown are  
tube OD x wall thickness



# 9 Series Adaptor Drawings

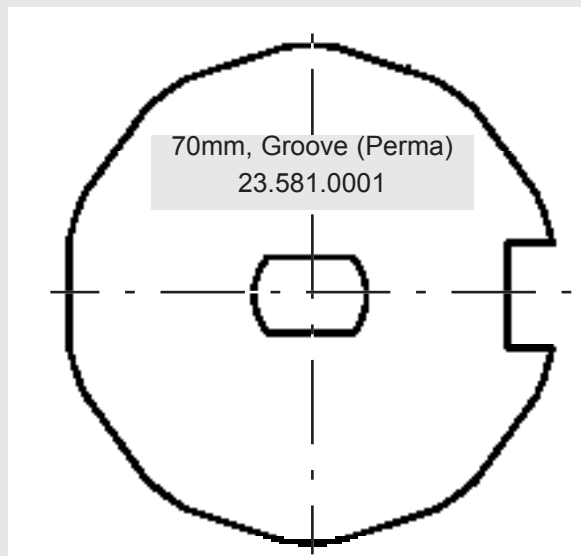
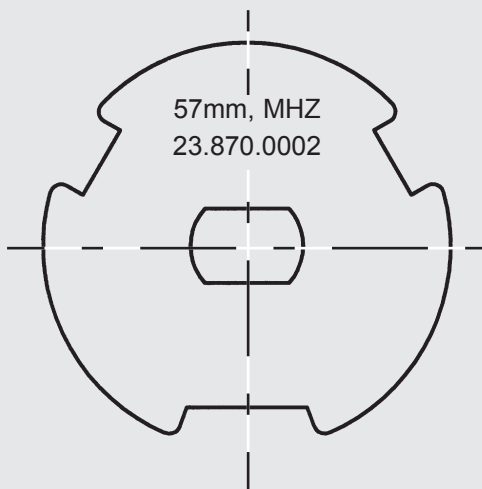
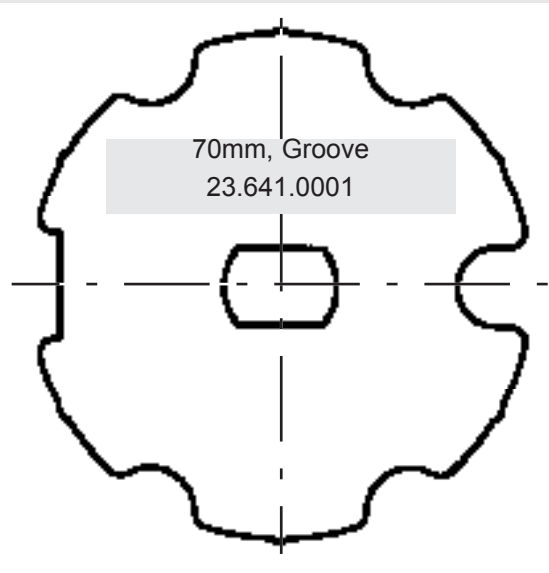
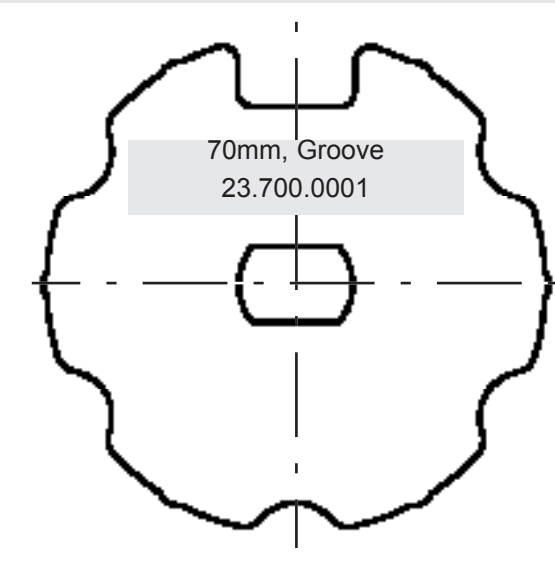
Drawing Scale 1:1  
Dimensions shown are  
tube OD x wall thickness

9 Series



# 9 Series Adaptor Drawings

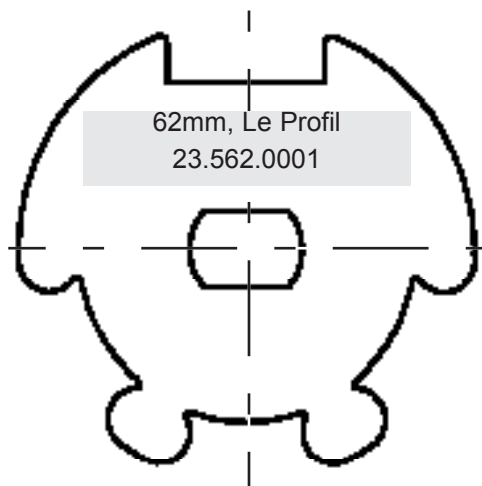
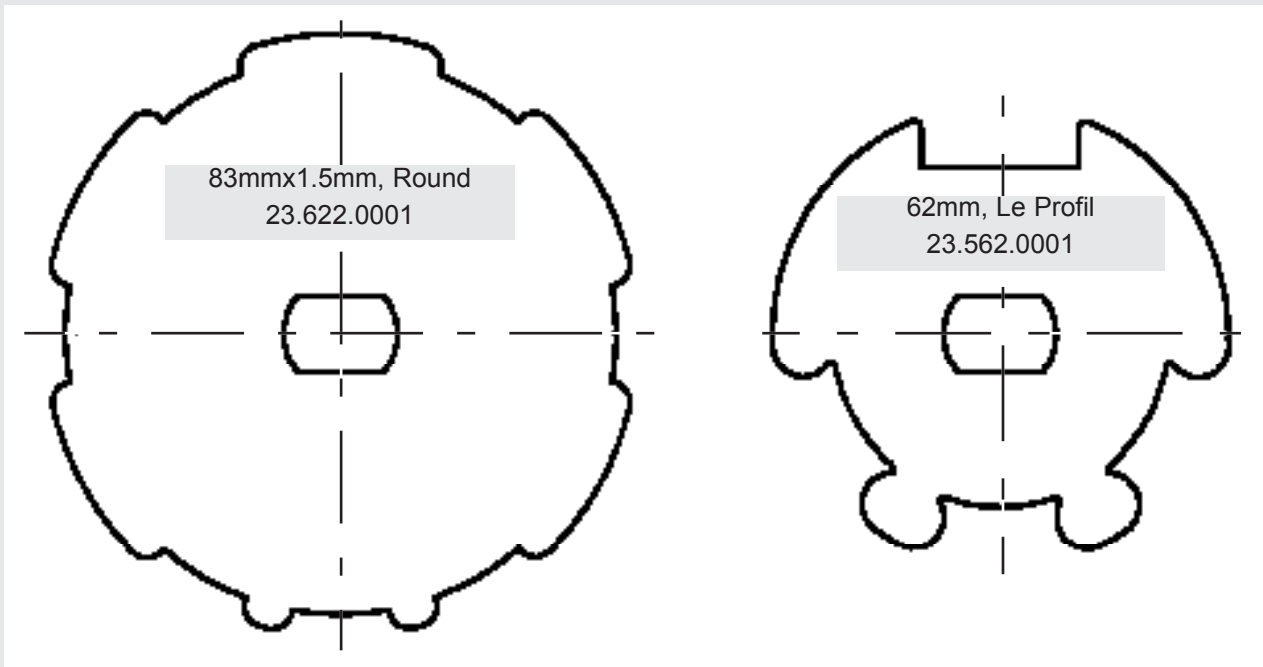
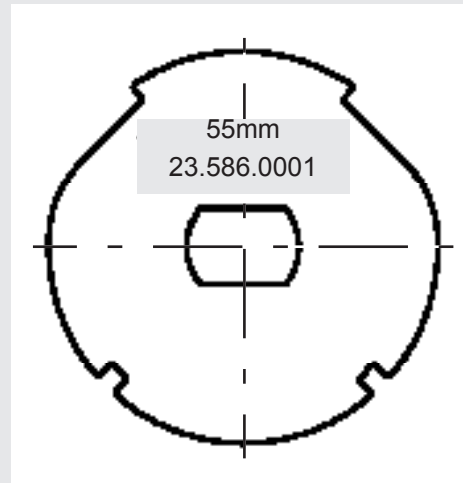
Drawing Scale 1:1  
Dimensions shown are  
tube OD x wall thickness



# 9 Series Adaptor Drawings

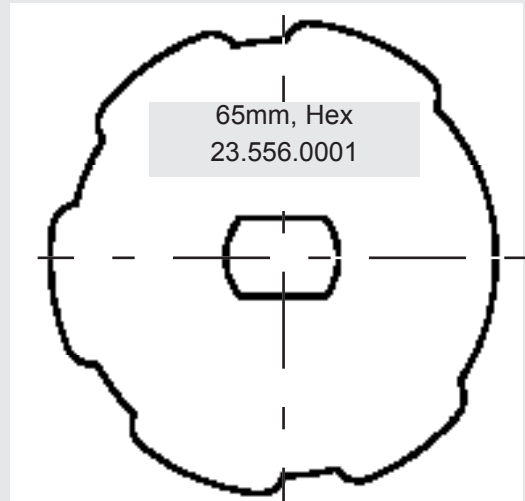
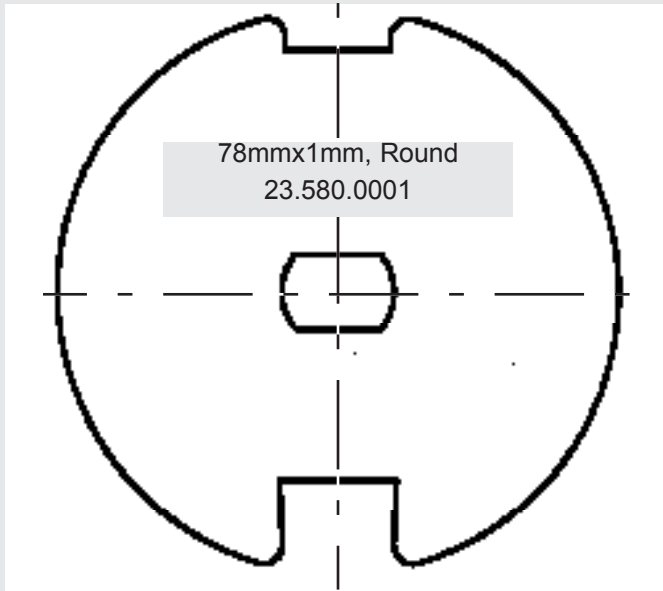
Drawing Scale 1:1  
Dimensions shown are  
tube OD x wall thickness

9 Series



# 9 Series Adaptor Drawings

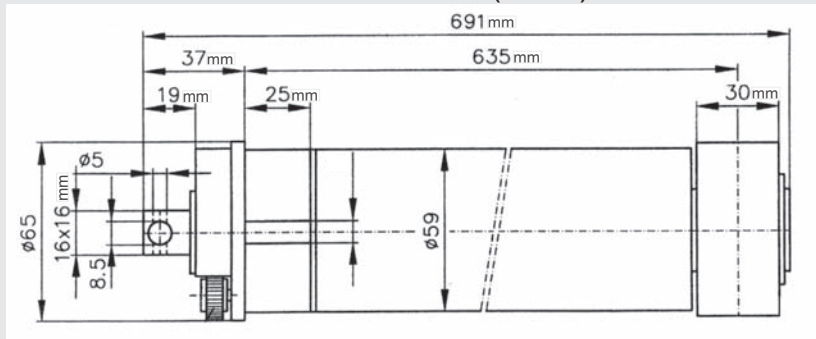
Drawing Scale 1:1  
Dimensions shown are  
tube OD x wall thickness



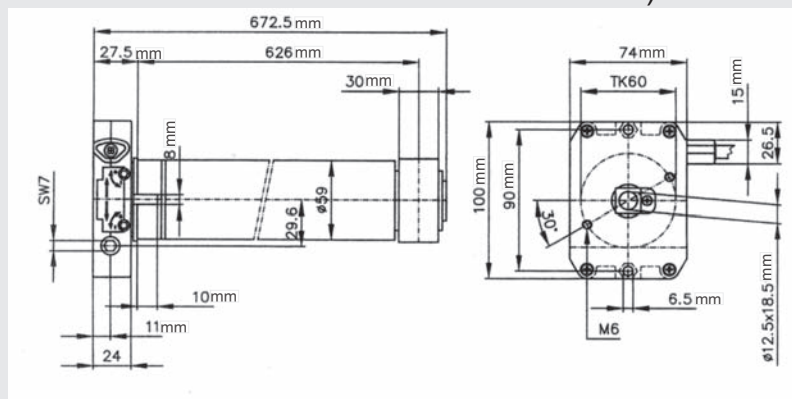


## 11 Series Motors and Accessories

Standard Motor (11/10)



Manual Override Motor 11/10 MO)



# 11 Series Motors and Accessories



## Part Number

## Description

### Motors 59mm O.D.

31.231.0001	Motor, RM 11/4 - 40 NM, 18 RPM
31.241.0001	Motor, RM 11/6 - 60 NM, 13 RPM
31.251.0002	Motor, RM 11/8 - 80 NM, 14 RPM
31.721.0001	Motor, RM 11/10 - 100 NM, 10 RPM
31.831.0003	Motor, RM 11/4 MO Pass Thru - 40 NM, 18 RPM
31.841.0003	Motor, RM 11/6 MO Pass Thru - 60 NM, 13 RPM
31.851.0003	Motor, RM 11/8 MO Compact - 80 NM, 14 RPM
31.731.0002	Motor, RM 11/10 MO, Compact - 100 NM, 10 RPM
91.231.0001	Motor, RM 11/4 ITec - 40 NM, 18 RPM
91.241.0001	Motor, RM 11/6 ITec - 60 NM, 13 RPM
91.251.0002	Motor, RM 11/8 ITec - 80 NM, 14 RPM
91.721.0001	Motor, RM 11/10 ITec - 100 NM, 10 RPM

### Adaptors (See adaptor drawings at the end of this section.)

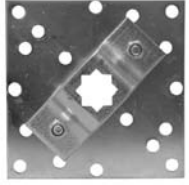
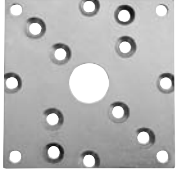







13.103.4901	Adaptor (11/6) 63mmx1.5mm, Round
23.471.0001	Adaptor Set (11/6) 70mmx1.5mm, Round
23.486.0001	Adaptor Set (11/6) 70mm, Selve
23.490.0001	Adaptor Set (11/6) 75mm, Martin
23.492.0001	Adaptor Set (11/6) 78mmx1mm, Groove
23.579.0001	Adaptor Set (11/6) 78mmx1.25mm
23.536.0001	Adaptor Set (11/6) 78mm, Dohner
23.688.0001	Adaptor Set (11/6) 78mm MHZ
23.474.0001	Adaptor Set (11/6) 83mmx1.5mm, Round
23.598.0001	Adaptor Set (11/6) 85mmx1mm, Groove
23.592.0001	Adaptor Set (11/6) 85mm, Imbac
23.595.0001	Adaptor Set (11/6) 90mm, Le Profi
23.478.0001	Adaptor Set (11/6) 98mm, Round
23.679.0001	Adaptor Set (11/6) 102mmx2mm, Round



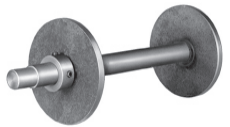




# 11 Series Motors and Accessories

Where Quality Counts

Part Number	Description
23.532.0001	Adaptor Set (11/6) 114mm, Oct
23.472.0001	Adaptor Set (11/8) 63mmx1.5mm, Round
23.473.0001	Adaptor Set (11/8) 70mmx1.5mm, Round
23.487.0001	Adaptor Set (11/8) 70mm, Selve
23.493.0001	Adaptor Set (11/8) 78mmx1mm,Groove
23.426.0001	Adaptor Set (11/8) 78mmx1.25mm
23.537.0001	Adaptor Set (11/8) 78mm, Dohner
23.305.0001	Adaptor Set (11/8) 78mm MHZ
23.661.0001	Adaptor Set (11/8) 85mmx1mm, Groove
23.589.0001	Adaptor Set (11/8) 85mm, Imbac
23.599.0001	Adaptor Set (11/8) 90mm, Le Profi
23.430.0001	Adaptor Set (11/8), 98mmx2mm, Round
23.447.0001	Adaptor Set (11/8) 102mmx2mm, Round
23.531.0001	Adaptor Set (11/8) 114mm, Oct
<b>Motor Mounting Brackets</b>	
23.428.0001	Motor Bracket (11/6) Universal, Composite
13.300.4801	Motor Bracket (11) Fork Type
13.300.7601	Motor Bracket (11) Heavy Duty, Fork Type
13.301.0801	Wall Bracket, Star
13.106.3501	Motor Bracket, Star, Curved
13.103.3901	Motor Bracket, Star, Flat
13.110.5601	Spacer Plate For Flat Star

# 11 Series Motors and Accessories

	Part Number	Description
	23.833.0001	Mounting Plate w/Star Motor Bracket
	13.109.2901	Mounting Plate 100mmx100mm
	13.300.8901	Bearing Bracket, Single
	23.853.0001	Bearing Bracket, 45mm Wide
	23.852.0001	Bearing Bracket, 90mm Wide
	13.110.5001	L-Bracket, 1-Slot
	13.110.5101	L-Bracket, 2-Slot
	13.110.5201	L-Bracket, 3-Slot
	13.300.9001	Bearing Bracket, Double

	Part Number	Description
	23.409.0001	<b>Idlers and Bearings</b> Idler, Adjustable, 63mmx1.5mm, Composite
	23.460.0001	Idler Insert, 63mmx1.5mm, 10mm Shaft
	23.462.0001	Idler Insert, 78mmx1mm, 10mm Shaft
	23.463.0001	Idler Insert, 83mmx1mm, 10mm Shaft
	23.461.0001	Idler Insert, 70mmx1.5mm, 10mm Shaft
	23.417.0001	Idler 108mmx3.6mm, 100/20 Shaft
	23.415.0001	Idler 98mmx2mm, 94/20 Shaft
	13.300.8601	Roller Bearing, 10mm Shaft
	13.300.8701	Roller Bearing, 13mm Shaft
	13.300.4301	Roller Bearing, 20mm Shaft
	13.300.3101	Plate Bearing, 20mm
	13.300.3701	Pedestal Bearing, 20mm
		<b>Center Supports</b>
	23.436.0001	Center Support 63mmx1.5mm
	23.435.0001	Center Support 78mm

# 11 Series Motors and Accessories

11 Series



**Part Number**

**Description**

23.764.0002

**Manual Override Accessories**

Hand Crank w/U-Jt 7mm Hex Shaft



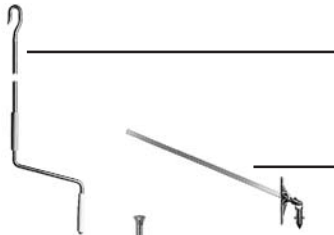
23.731.0002

U-Joint w/Awning Loop 7mm Hex



23.771.0002

Awning Loop w/7mm Hex X 180mm



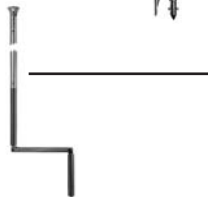
12.300.0901

Hand Crank With Hook



23.772.0002

U-Joint W/7mm Hex X 300mm Shaft



23.773.0001

Hand Crank w/Bayonet Coupler



18.033.1373

**Tubes**

Tube, Galvanized 98mmx2mmx19ft

75.033.1373

Tube, Galvanized, 98mmx2mm (per ft)



23.307.0001

**Accessories**

Drive Differential (11) 63mm

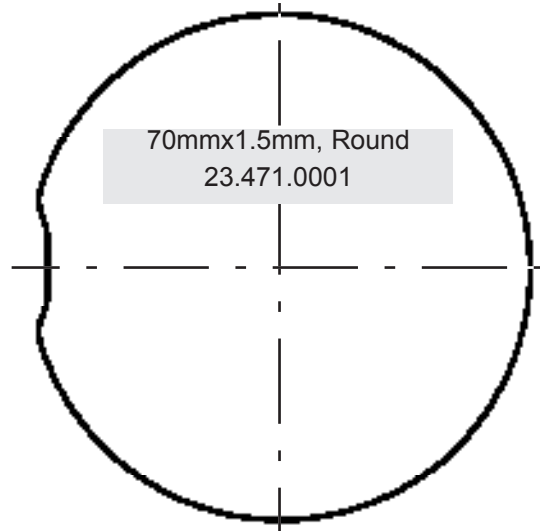
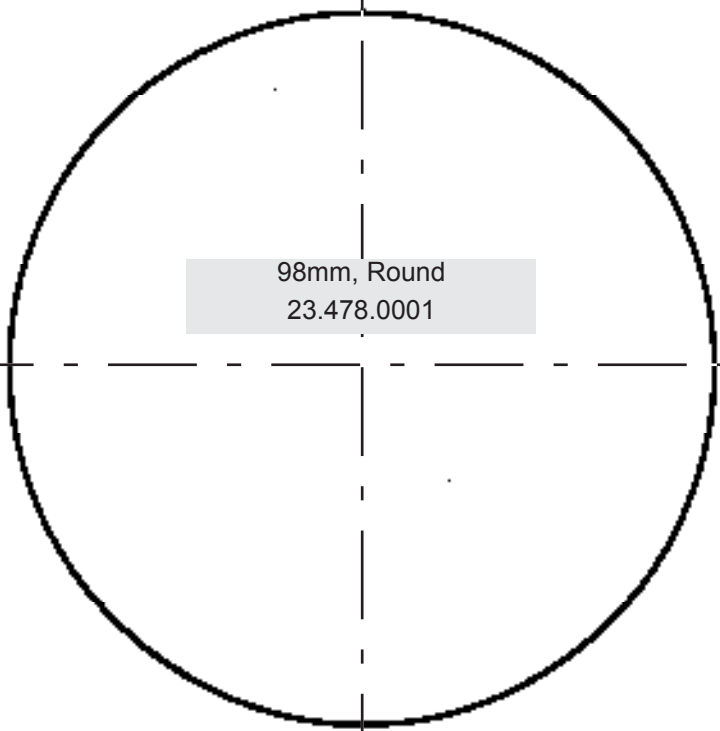
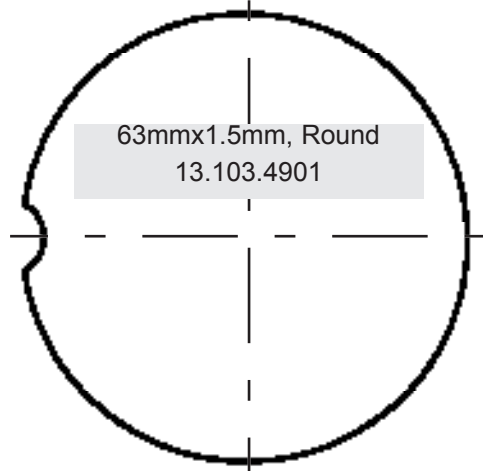
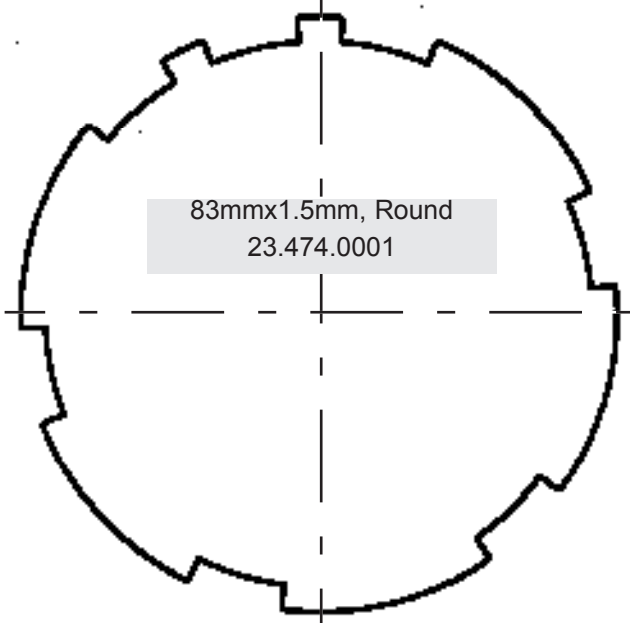


23.307.0101

Shaft Support Idler 63mm

# 11 Series Profile Drawings: 11/4-11/6

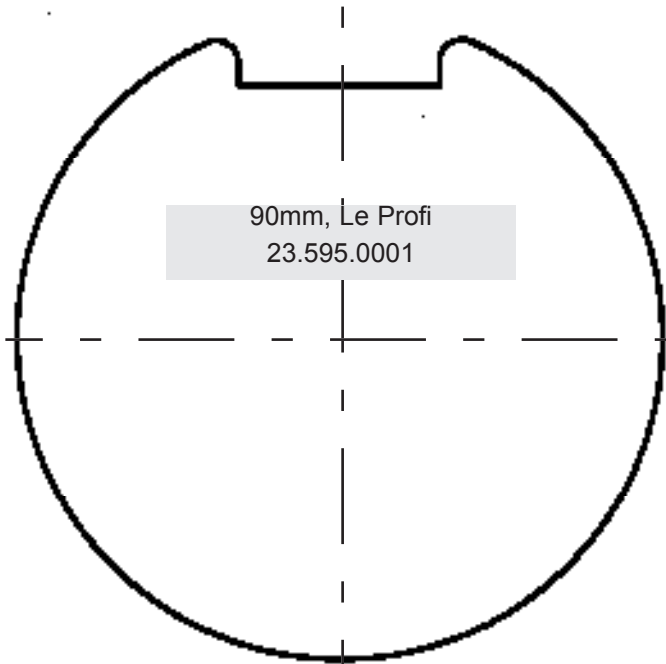
Drawing Scale 1:1  
Dimensions shown are  
tube OD x wall thickness



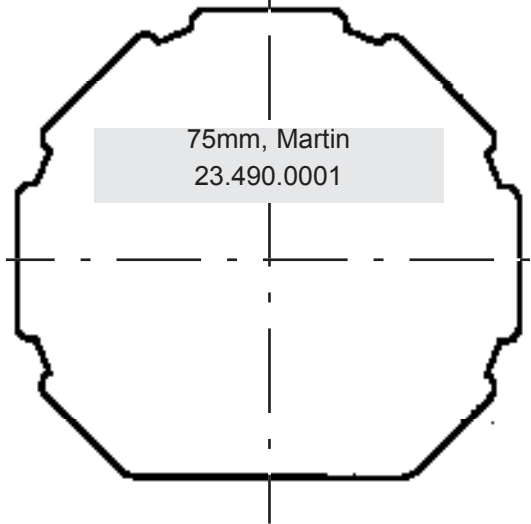
# 11 Series Profile Drawings: 11/4-11/6

Drawing Scale 1:1  
Dimensions shown are  
tube OD x wall thickness

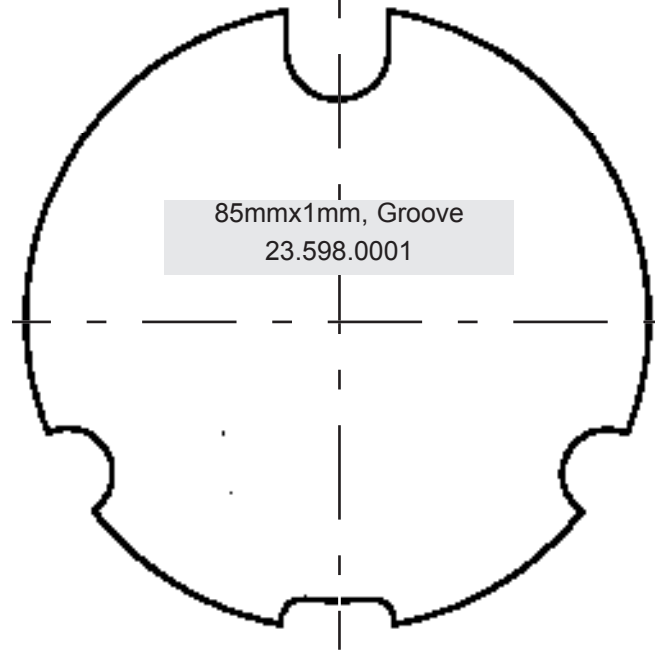
11 Series



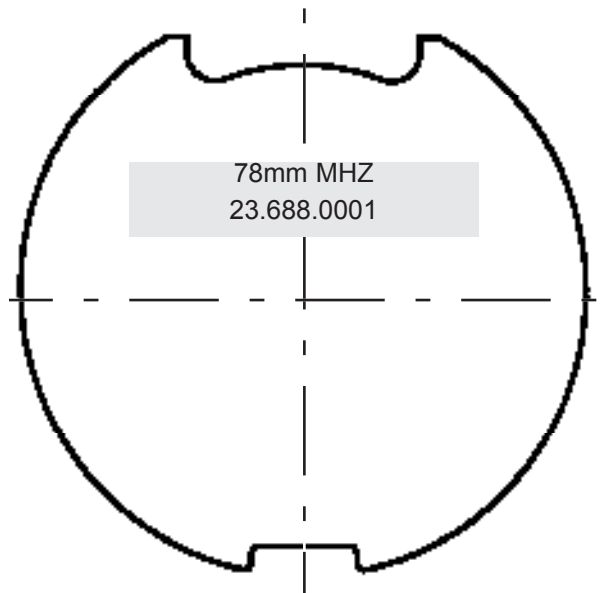
90mm, Le Profi  
23.595.0001



75mm, Martin  
23.490.0001



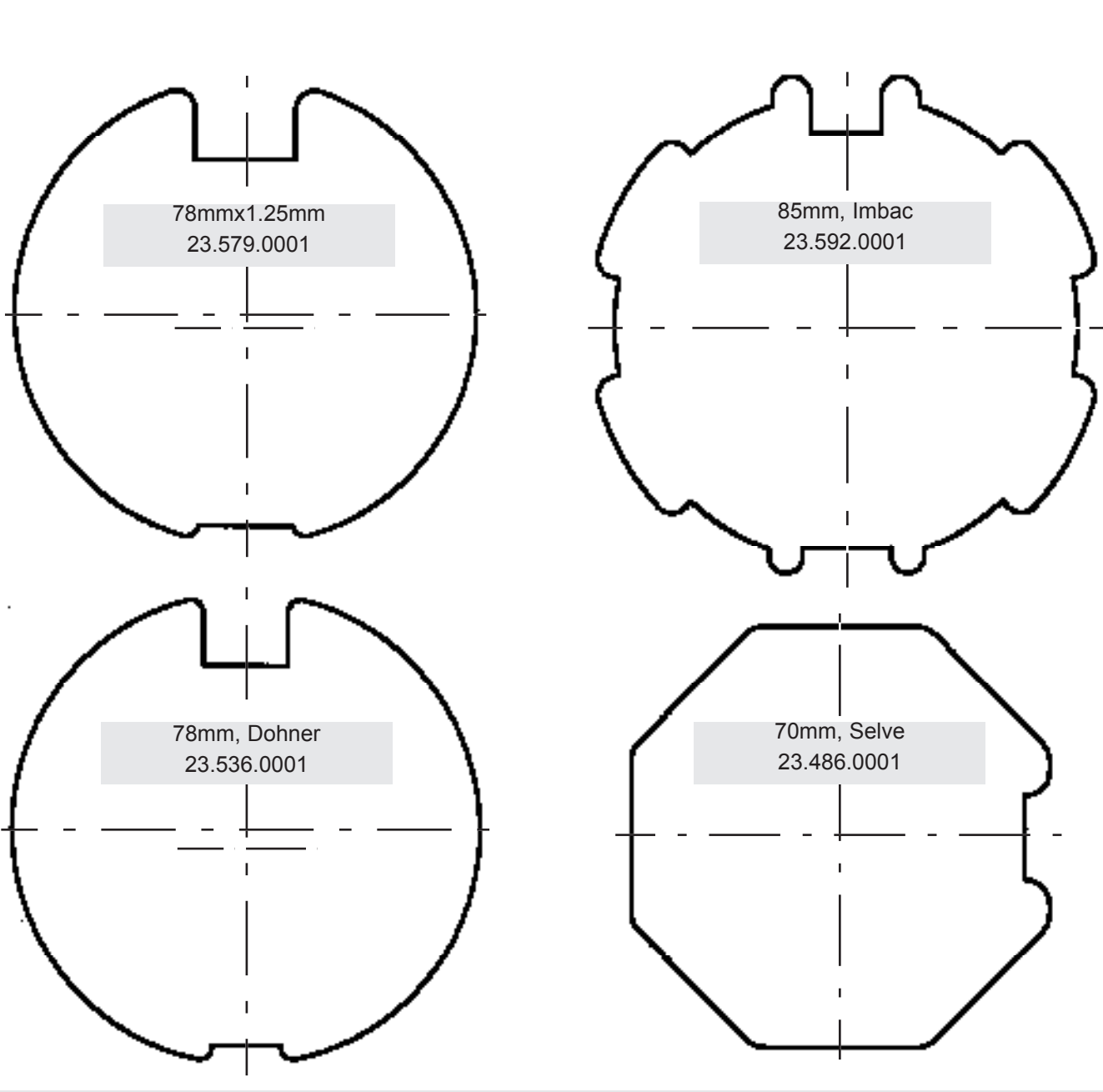
85mmx1mm, Groove  
23.598.0001



78mm MHZ  
23.688.0001

# 11 Series Profile Drawings: 11/4-11/6

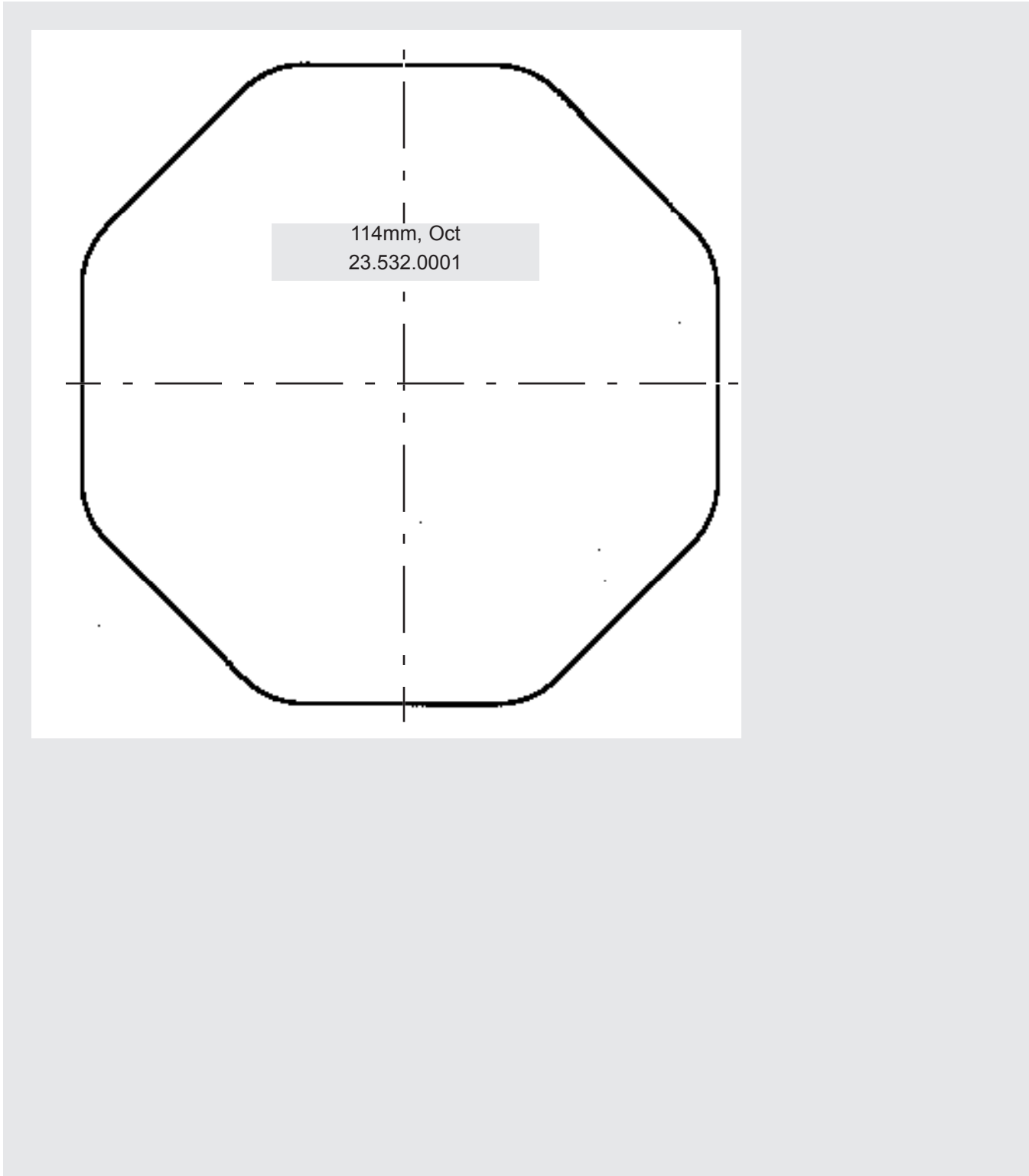
Drawing Scale 1:1  
Dimensions shown are  
tube OD x wall thickness



# 11 Series Profile Drawings: 11/4-11/6

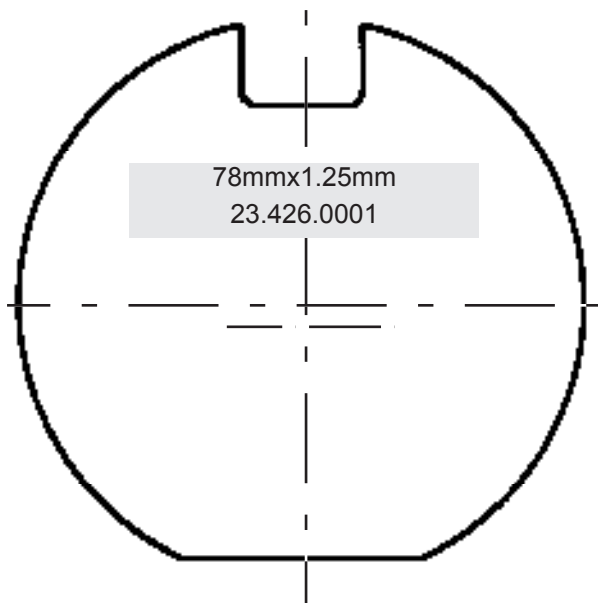
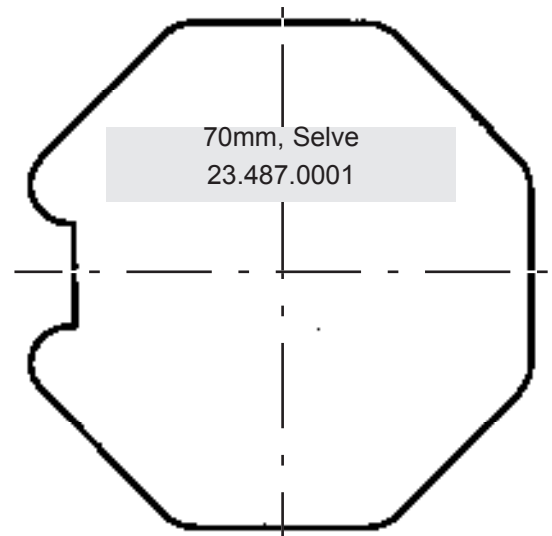
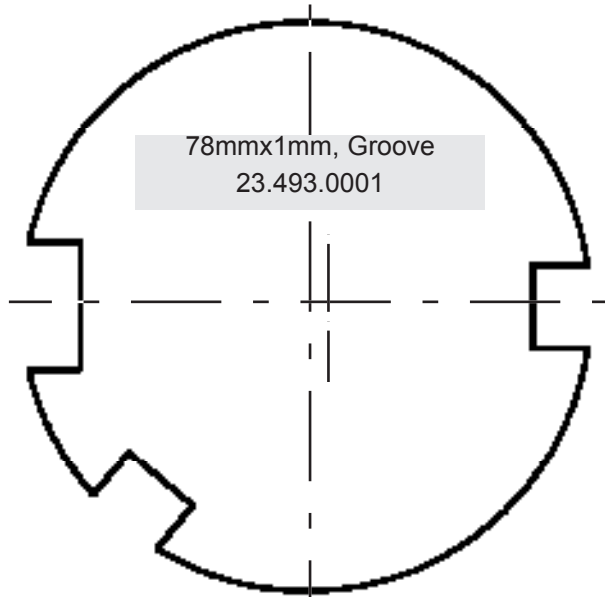
Drawing Scale 1:1  
Dimensions shown are  
tube OD x wall thickness

11 Series



# 11 Series Profile Drawings: 11/8-11/10

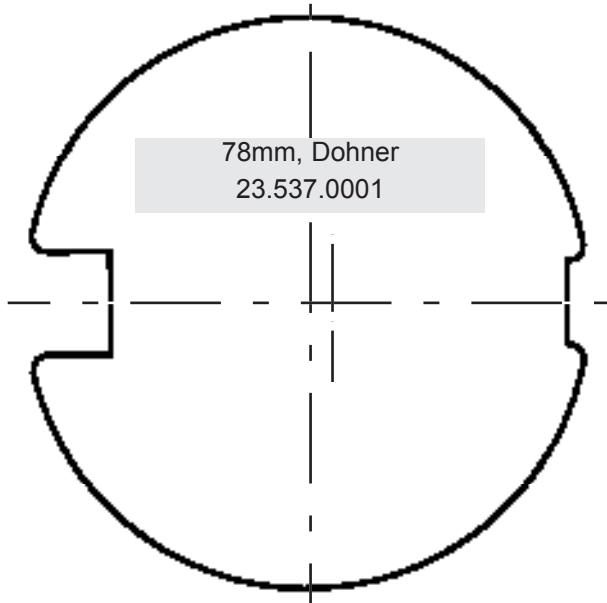
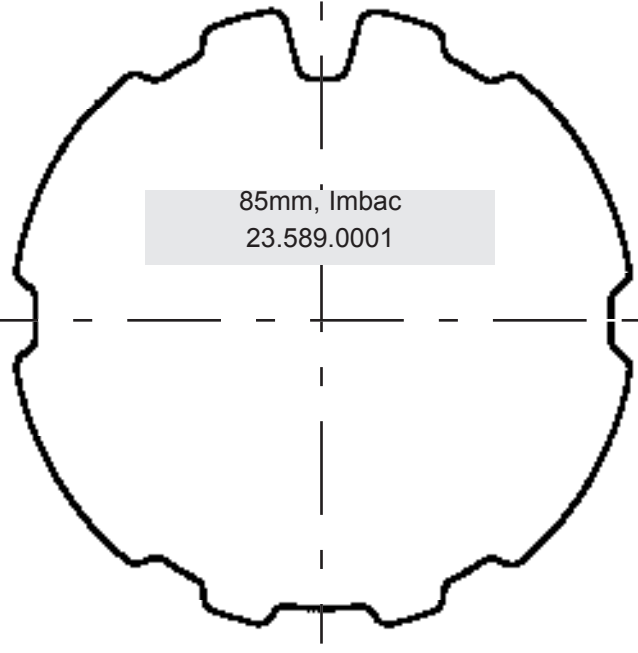
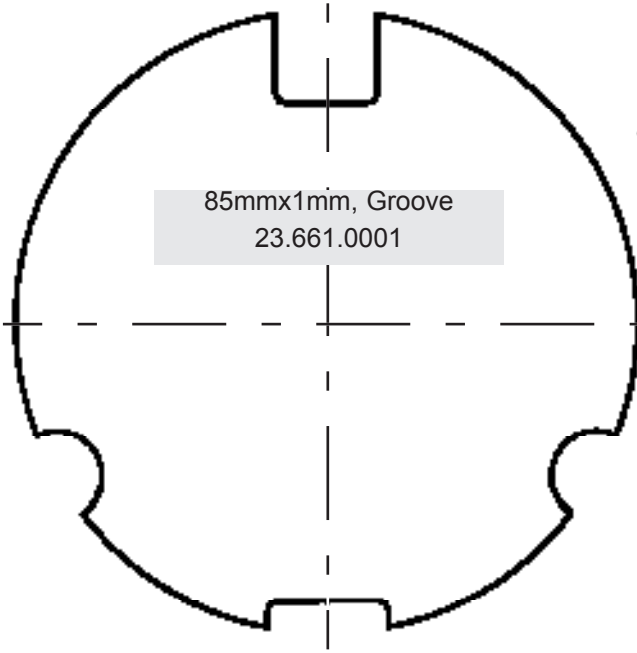
Drawing Scale 1:1  
Dimensions shown are  
tube OD x wall thickness



# 11 Series Profile Drawings: 11/8-11/10

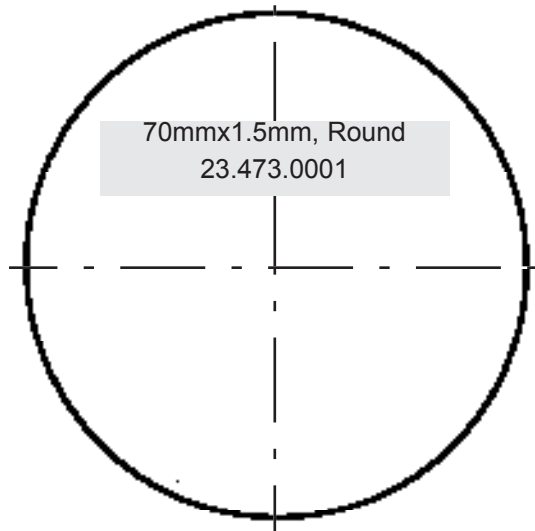
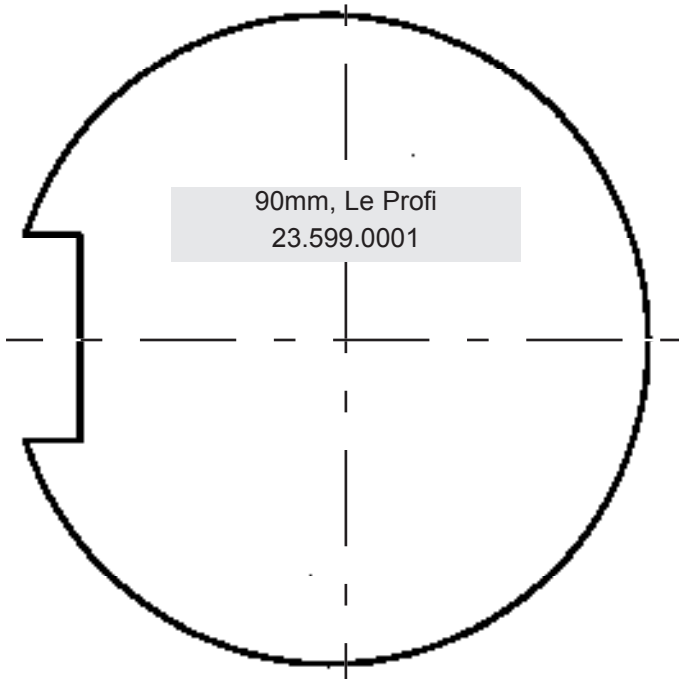
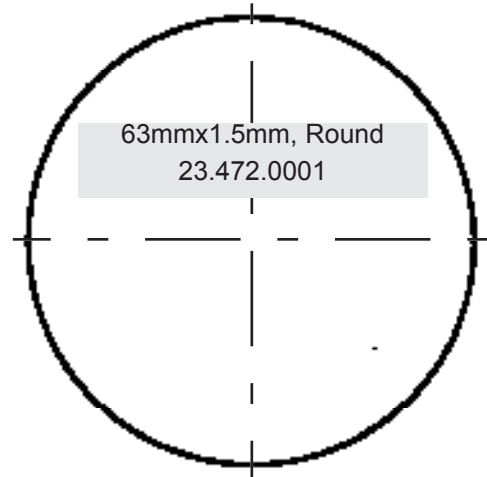
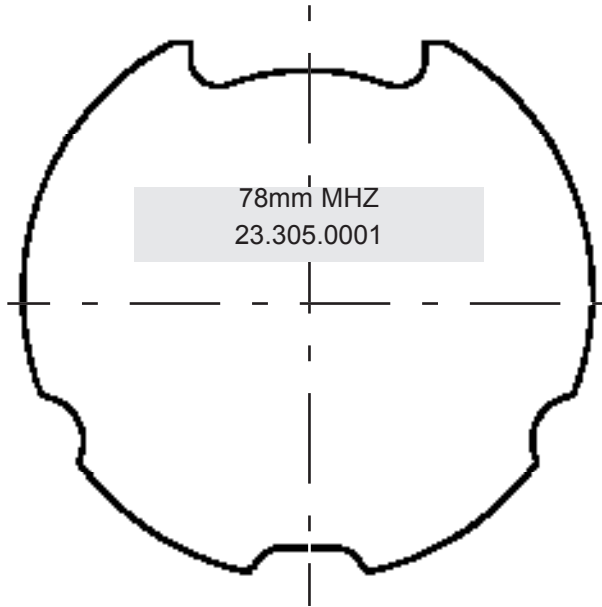
Drawing Scale 1:1  
Dimensions shown are  
tube OD x wall thickness

11 Series



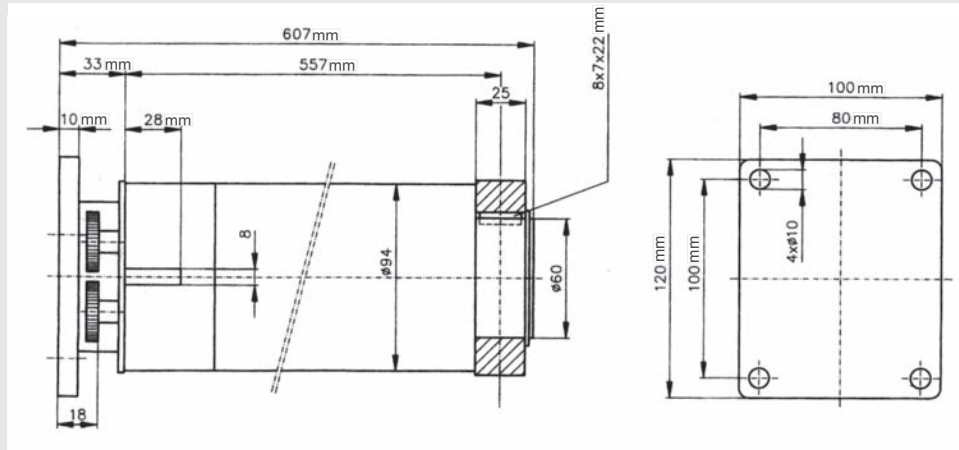
# 11 Series Profile Drawings: 11/8-11/10

Drawing Scale 1:1  
Dimensions shown are  
tube OD x wall thickness



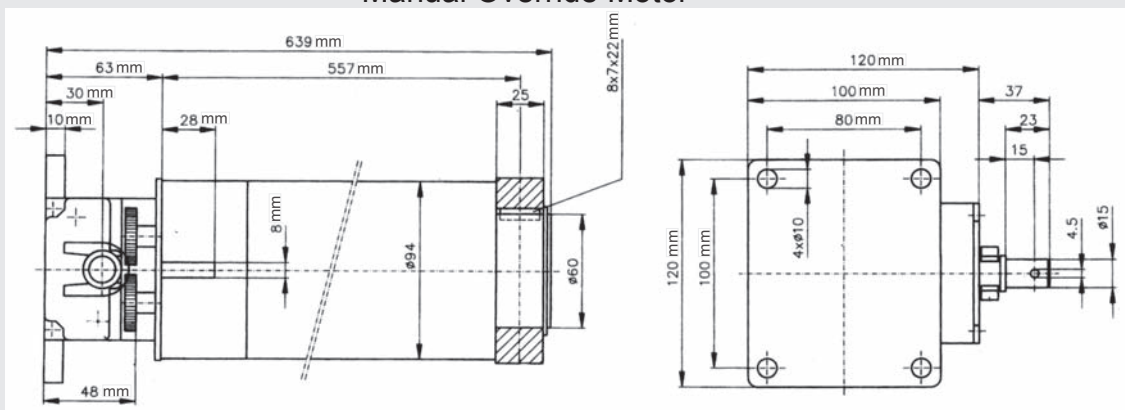


Standard Motor



## 15 Series Motors and Accessories

Manual Override Motor



# 15 Series Motors and Accessories



### Part Number

### Description

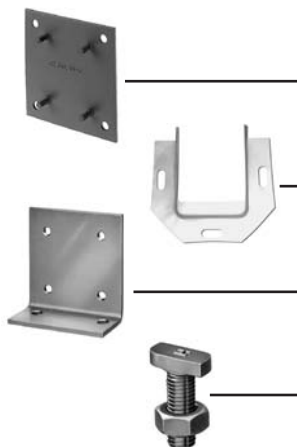
#### Motors 94mm O.D.

32.301.0001	Motor, RM 15/12W, 230v - 96 NM, 14 RPM Motor,
32.281.0001	Motor, RM 15/15W, 230v - 120 NM, 14 RPM
32.321.0001	Motor, RM 15/18W, 230v - 144 NM, 14 RPM
32.361.0001	Motor, RM 15/23W, 230v - 185 NM, 14 RPM
32.341.0001	Motor, RM 16W, 230v - 200 NM, 10 RPM
32.291.0001	Motor, RM 15/15W, MO, 230v - 120 NM, 14 RPM
32.331.0001	Motor, RM 15/18W MO, 230v - 144 NM, 14 RPM
32.371.0001	Motor, RM 15/23W MO, 230v - 185 NM, 14 RPM



#### Adaptors

13.103.5701	Drive Adaptor (15) 98mmx2mm, Round
23.479.0001	Adaptor Set (15) 102mmx1.5mm
23.584.0001	Adaptor Set (15) 102mmx2mm, Round
23.475.0001	Adaptor Set (15) 108mmx3.6mm
23.495.0002	Adaptor Set (15) 133mmx4mm, Round
23.501.0001	Adaptor Set (16W) 168.3mmx4.5mm



#### Motor Mounting Brackets

13.301.4901	Wall Bracket (15)
13.300.5001	Motor Bracket (15)
13.300.5303	Motor Bracket (15) Angle Type
14.300.5501	Hammerhead Screw, 10mmx40mm

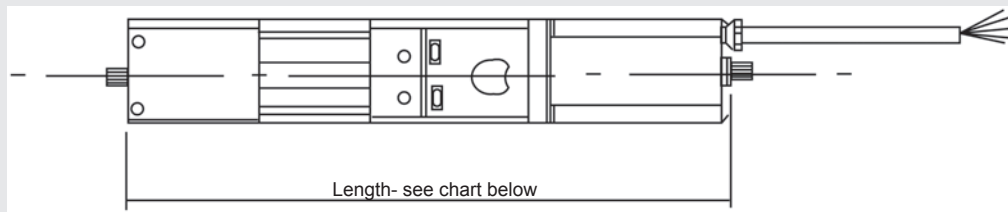
# 15 Series Motors and Accessories

Where Quality Counts



Part Number	Description
	<b>Idlers and Bearings</b> Idler 98mmx2mm, 94/20 Shaft
23.415.0001	Idler 98mmx2mm, 94/20 Shaft
23.417.0001	Idler 108mmx3.6mm, 100/20 Shaft
13.300.3101	Plate Bearing, 20mm
13.300.3701	Pedestal Bearing, 20mm
	<b>Manual Override Accessories</b> Hand Crank (16W)
23.404.0002	Hand Crank (16W)
24.912.0001	Hand Crank (15) 0.5m
24.913.0001	Hand Crank (15) 1.0m





Model	Torque		Amps	Watts	Length
	NM	in. lbs			
JA 06d Motor	6	52	1.15	130	12.82"
JA 12d Motor	12	106	1.35	150	13.79"

## JA Motors and Accessories

# JA Motors and Accessories

JA



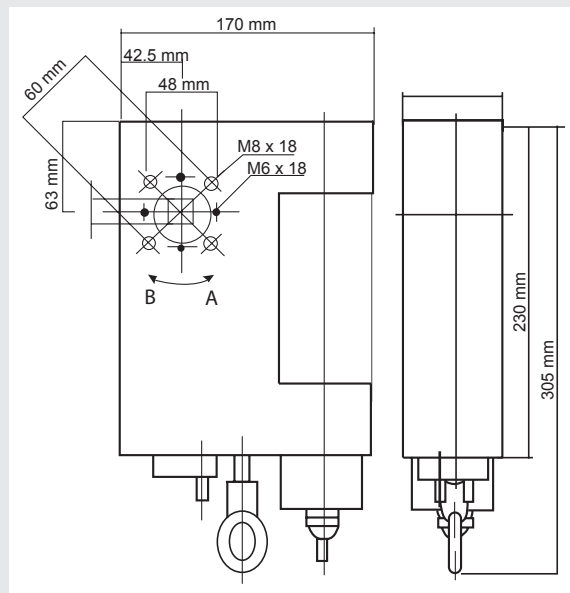
Part Number	Description
<b>Motors</b>	
35.712.0001	Motor, JA 06d
35.732.0001	Motor, JA 12d
35.052.0001	Motor, JA 06dk, 230v
<b>Adaptors</b>	
26.500.0201	JM Adaptor, 6mm Hex
16.300.1201	JM Adaptor, 7mm Hex
16.300.1301	JM Adaptor, 8mm Hex
16.300.1401	JM Adaptor, 9mm Hex
16.300.2801	JM Adaptor, 11mm Hex
16.300.3301	JM Adaptor, 13mm Hex
16.300.0901	JM Adaptor, 7mm Square
16.300.1001	JM Adaptor, 8mm Square
16.300.1101	JM Adaptor, 9mm Square
16.300.2401	JM Adaptor, 10mm Square
16.300.0701	JM Adaptor, 12mm Square
16.300.1501	JM Adaptor, 12mm Groove
16.300.1601	JM Adaptor, 14mm Groove
26.500.0001	JM Adaptor, 14mm Groove

# JA Motors and Accessories



Part Number	Description
<b>Mounting Kits</b>	
26.520.0001	JA Mounting Kit, 2mm
26.521.0001	JA Mounting Kit, 8mm
16.101.6001	Damper, JA 2mmx32mm
16.101.6101	Damper, JA 2mmx22mm
16.101.6201	Damper, JA 8mmx32mm
16.101.6301	Damper, JA 8mmx22mm
16.300.7301	Mounting Screw JA 2mm
16.300.7401	Mounting Screw JA 8mm
<b>Safety Switches</b>	
26.200.1101	JA Switch, Safety Left Hand
16.101.4501	JA Safety Switch Extension





## Box 5 Motors and Accessories

# Box 5 Motors and Accessories



## Part Number

## Description

### Motors

41.014.0001

Motor, Box 5, 230v - 60 NM, 14 RPM

41.024.0001

Motor, Box 5, 120v - 40 NM, 14 RPM

### Accessories



12.300.0901

Hand Crank With Hook



14.100.8101

Drive Adaptor, Box 5, 13mmx13mm



14.301.0401

Drive Belt For Box-5



10.105.0219

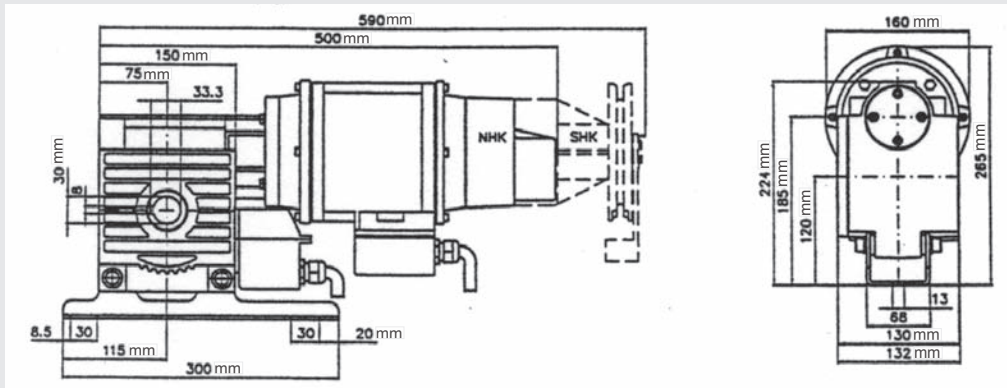
Belt Tension Bearings



10.120.0311

Belt Tension Bearing Shaft

Standard Motor



## DFM Motors and Accessories



## Part Number

## Description

### Motors

41.051.0001

Motor, DFM 350, 230/460v-3-60 - 200 NM, 16 RPM

41.061.0001

Motor, DFM 500, 230/460v-3-60 - 400 NM, 13 RPM

41.071.0001

Motor, DFM 750, 230/460v-3-60 - 650 NM, 13 RPM



### Adaptors

24.318.0201

Chain Operator Adaptor, DF 170-350

24.376.0201

Chain Operator Adaptor, DF 500-750



### Motor Mounting Brackets

24.906.0201

Wall Bracket, DF 500-750



### Controls

24.648.0001

Control Unit, DFM 170-750, 460v



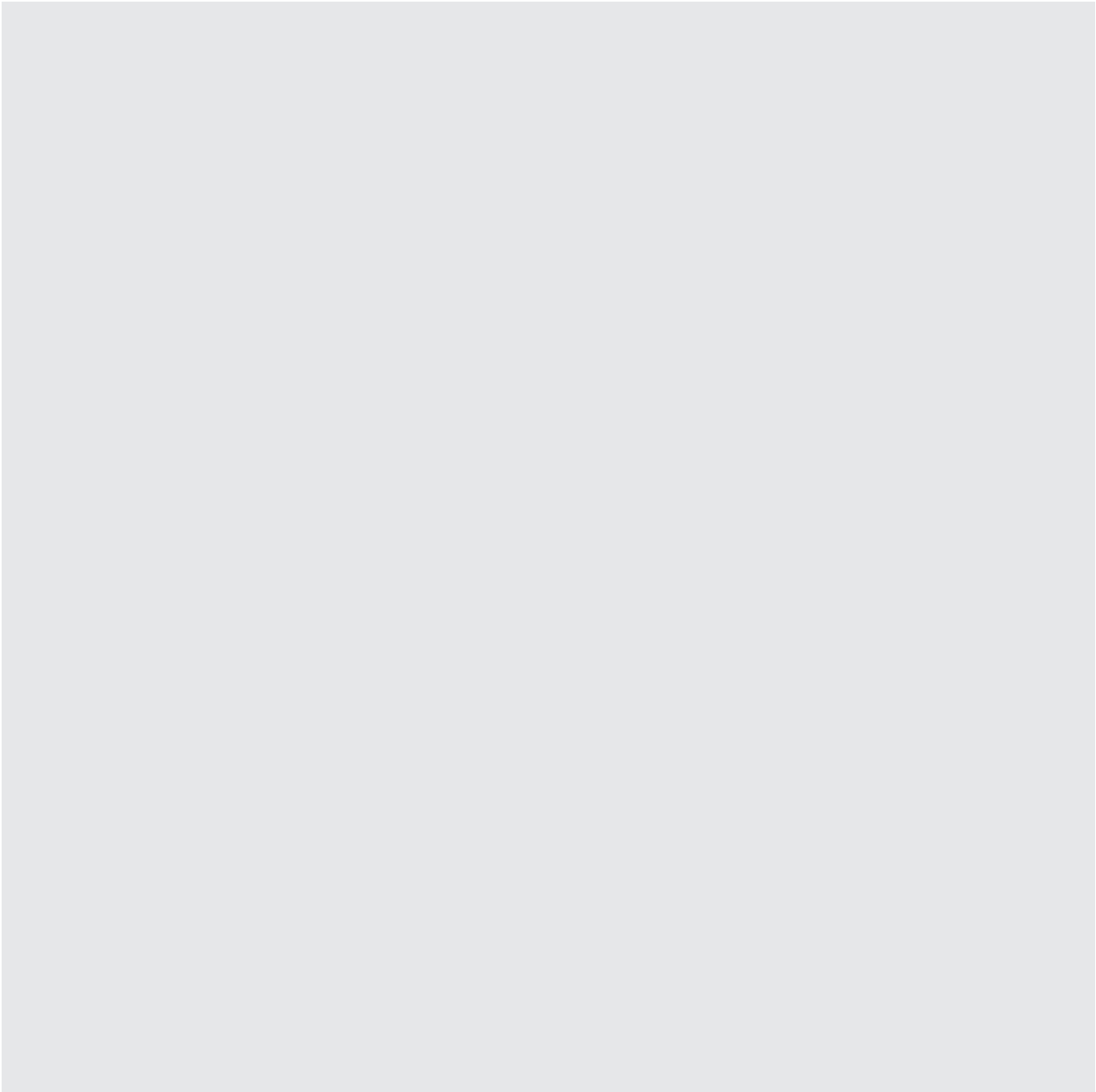
24.350.0101

DFM Connection Kit





Where Quality Counts



**Controls**

Controls

# Controls



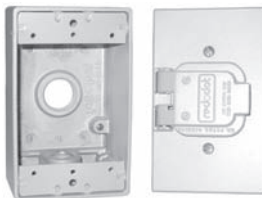
## Part Number

## Description

### Switches

75.620.0301	Switch, Rocker, SPDT, Maintained, White
75.620.0321	Switch, Rocker, DPDT, Maintained, White
75.620.0331	Switch, Rocker, DPDT, Momentary, White
75.620.0341	Switch, Rocker, SPDT, Momentary, White
93.620.0303	Switch, Rocker, SPDT, 2Pos Maintained, White
75.620.0351	Switch Plate, Single
75.620.0361	Switch Plate, 1G 2S, White
75.620.0363	Switch Plate, 2G 1S, White
75.620.0371	Switch Plate, 2G 2S, White
75.620.0381	Switch Plate, 2G 3S, White
75.620.0382	Switch Plate, 3G 4S, White
75.620.0383	Switch Plate, 4G 5S, White
75.620.0384	Switch Plate, 5G 5S, White
75.620.0388	Switch Plate, 4G 4S, White
75.620.0391	Switch Plate, 6G 6S, White
75.620.0396	Switch Plate, 3G 2S, White
75.620.0481	Switch Plate, 3G 3S, White

# Controls



## Part Number

## Description

75.620.1001

Switch, Mini Rocker, SPDT Maintained

75.620.1002

Switch, Mini Rocker, SPDT Momentary

75.620.1011

Switch Plate, Mini Rocker, 1G 1S

75.620.1012

Switch Plate, Mini Rocker, 1G 2S

75.620.1014

Switch Plate, Mini Rocker, 1G 4S

75.620.1024

Switch Plate, Mini Rocker, 2G 4S

75.620.1026

Switch Plate, Mini Rocker, 2G 6S

75.620.1028

Switch Plate, Mini Rocker, 2G 8S

75.620.1030

Switch Plate, Mini Rocker, 3G 10S

93.620.0331

Switch, Lever, SPDT, 3Pos Momentary, Ivory

93.620.0332

Switch, Lever, SPDT, 3Pos Maintained, Ivory

93.620.0333

Switch, Lever, SPDT, 3Pos Momentary, White

93.620.0334

Switch, Lever, SPDT, 3Pos Maintained, White

93.620.0300

Enclosure, Exterior Switch

# Controls







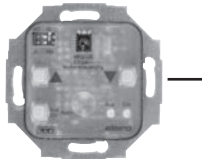





## Part Number











## Description

93.620.0350	Switch, Paddle, SPDT, Momentary, White
93.620.0351	Switch, Paddle, SPDT, Maintained, White
93.620.0353	Switch, Paddle, SPDT, Maintained, Ivory
93.620.0354	Switch, Paddle, SPDT, Momentary, Ivory
93.620.0356	Switch, Paddle, DPDT, Maintained, White
93.620.0357	Switch, Paddle, DPDT, Maintained, Ivory
93.620.0601	Switch Plate, Paddle, Ivory
93.620.060W	Switch Plate, Paddle, White
75.620.0201	Switch, Key, SPDT, Maintained, Metal
75.620.0202	Switch, Key, SPDT, Momentary, Metal
75.620.0221	Switch, Key, DPDT, Maintained, Metal
75.620.0222	Switch, Key, DPDT, Momentary, Metal
14.701.3601	Switch, Key, SPDT, Exterior, Momentary
75.620.0250	Switch, Key, SPDT, Exterior, Momentary
75.620.0260	Key For 75.620.0250 Switch
23.250.0001	Switch, Rocker, Momentary






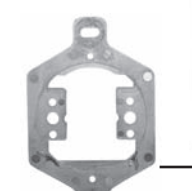


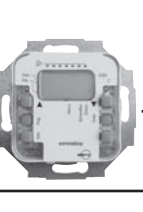


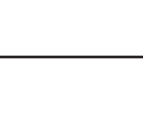
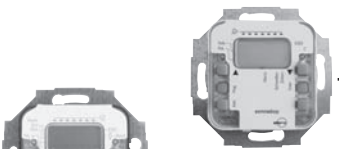


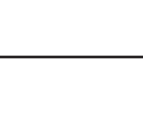
# Controls

	Part Number	Description
	24.202.0001	<b>WKS Primus</b> Motor Control Unit WKS-PRIMUS
	14.303.2101	Cover, WKS-PRIMUS, Alpine White
	14.303.2001	Cover, WKS-PRIMUS, Almond
	14.303.0501	Adaptor Frame, WKS, Alpine White
	14.303.0601	Adaptor Frame, WKS, Almond
	24.752.0001	Surface Mount Housing, Alpine White
	24.843.0103	Surface Mount Housing, Almond
	14.108.8801	Recess Mounting Plate, Alpine White
	14.108.9001	Recess Mounting Plate, Almond
	14.108.8701	Recess Mount Support Ring
	24.657.0001	<b>WKS IR</b> IR Receiver WKS, 120v
	14.303.2201	Cover, WKS-IR, Alpine White
	14.303.2301	Cover, WKS-IR, Almond
	24.655.0101	IR Transmitter, WKS
	24.656.0001	External Diode For WKS-IR

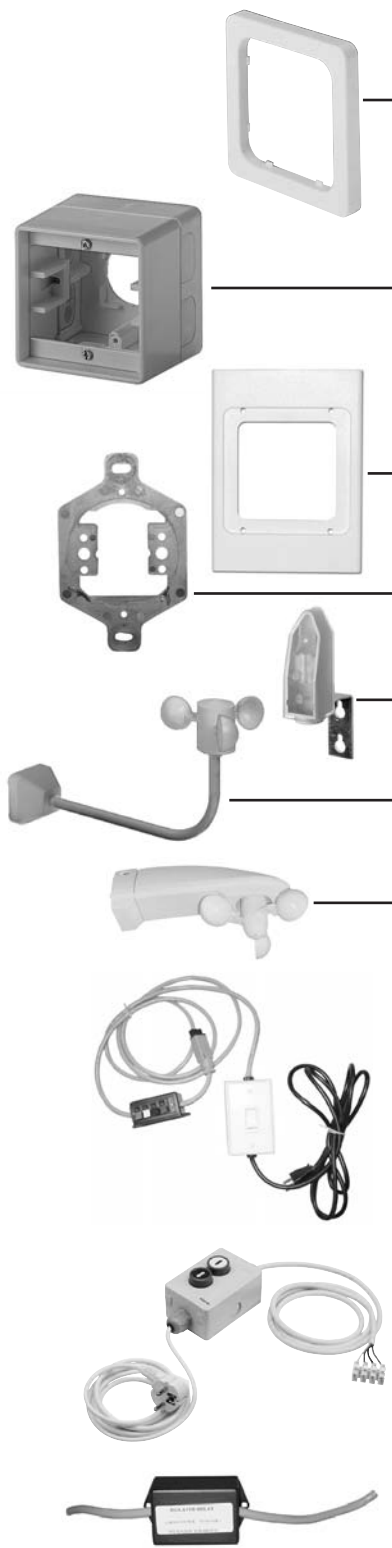
# Controls

	Part Number	Description
	14.303.0501	Adaptor Frame, WKS, Alpine White
	14.303.0601	Adaptor Frame, WKS, Almond
	24.752.0001	Surface Mount Housing, Alpine White
	24.843.0103	Surface Mount Housing, Almond
	14.108.8801	Recess Mounting Plate, Alpine White
	14.108.9001	Recess Mounting Plate, Almond
	14.108.8701	Recess Mount Support Ring
<b>PEZ-R</b>		
	24.212.0001	PEZ-R-Astro Timer
	14.109.3301	Cover, PEZ-R, Alpine White
	14.109.3401	Cover, PEZ-R, Almond
	14.303.0501	Adaptor Frame, WKS, Alpine White
	14.303.0601	Adaptor Frame, WKS, Almond
	24.752.0001	Surface Mount Housing, Alpine White
	24.843.0103	Surface Mount Housing, Almond
	14.108.8801	Recess Mounting Plate, Alpine White
	14.108.9001	Recess Mounting Plate, Almond
	14.108.8701	Recess Mount Support Ring

# Controls

	Part Number	Description
	24.214.0001	<b>PEZ-RS</b> PEZ-RS-Astro-E Timer & Sun Sensor
	14.109.3501	Cover, PEZ-RS, Alpine White
	14.109.3601	Cover, PEZ-RS, Almond
	14.303.0501	Adaptor Frame, WKS, Alpine White
	14.303.0601	Adaptor Frame, WKS, Almond
	24.752.0001	Surface Mount Housing, Alpine White
	24.843.0103	Surface Mount Housing, Almond
	14.108.8801	Recess Mounting Plate, Alpine White
	14.108.9001	Recess Mounting Plate, Almond
	14.108.8701	Recess Mount Support Ring
	24.882.0001	Light Sensor For PEZ-RS
	24.898.0001	Light Sensor For PEZ-RS (10m)
	24.665.0001	<b>Sonneboy</b> Sonneboy (WKS)
	24.667.0001	Sonneboy Impulse, 120v
	14.303.2801	Cover, Sonneboy, Alpine White
	14.303.2901	Cover, Sonneboy, Almond

# Controls



## Part Number

## Description

14.303.0501

Adaptor Frame, WKS, Alpine White

14.303.0601

Adaptor Frame, WKS, Almond

24.752.0001

Surface Mount Housing, Alpine White

24.843.0103

Surface Mount Housing, Almond

14.108.8801

Recess Mounting Plate, Alpine White

14.108.9001

Recess Mounting Plate, Almond

14.108.8701

Recess Mount Support Ring

24.888.0001

Light Sensor For Sonneboy

24.889.0001

Wind Sensor For Sonneboy

24.269.0001

AERO, combined Sun and Wind Sensor

## Accessories

75.620.1050

Test Cable, AC Maintained Contact

23.245.0001

Test Cable, Momentary Contact

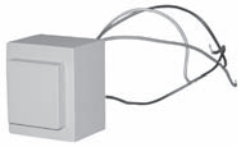
75.630.0101

Isolated Relay

# Controls

	Part Number	Description
	75.645.5030	Group Control, AC, 12 Unit
	75.645.5040	Group Control, AC, 8 Unit
	75.645.5050	Group Control, AC, 4 Unit
	93.610.0210	Cable 18/4 White (Outdoor Rated)
	93.610.1010	Power Cord w/Plug 10ft
	93.610.1020	Power Cord w/Plug 20ft
	93.610.2000	Cord Connector-1/2" NPT
	93.610.2010	Locknut-1/2" NPT
	93.640.5005	Radio Receiver, 120v
	93.640.5001	Wind Control
	93.640.5002	Wind Sensor/Radio, 120v
	93.640.5010	Radio Transmitter, 1-Channel
	93.640.6012	Radio Transmitter, 2-Channel
	93.640.6013	Radio Transmitter, 3-Channel
	93.701.5200	Hirschmann Plug, CA Female, Panel Mount
	93.701.5310	Hirschmann Plug, CA Male
	93.701.5320	Hirschmann Plug, CA Female
	23.846.0001	Hirschmann Plug, Male, w/Clip
	13.701.5301	Hirschmann Plug, Female

# Controls



## Part Number

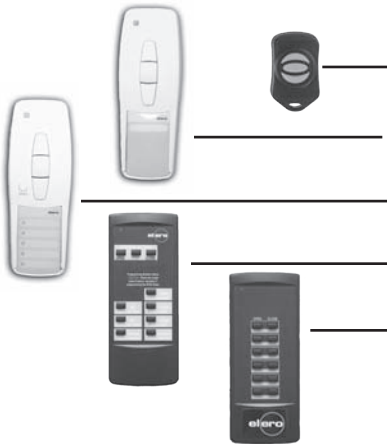
## Description

13.701.0404

Transformer 120vAC/16vDC

13.701.2604

Transformer 230vAC/16vDC



## ITec Controls

93.640.5300

Key Fob

93.640.5321

Deco 1-Channel

93.640.5325

Deco 5-Channel

93.640.5320

Techno Lite

93.640.5310

Techno T-6 Transmitter

*(Overlays For T-6 Transmitter)*

93.640.5301

T-6 Overlay 1-Channel

93.640.5302

T-6 Overlay 2-Channel

93.640.5303

T-6 Overlay 3-Channel

93.640.5304

T-6 Overlay 4-Channel

93.640.5305

T-6 Overlay 5-Channel

93.640.5306

T-6 Overlay 6-Channel

93.640.5312

Techno 12-Channel

93.640.5324

Techno 24-Channel



93.640.5316

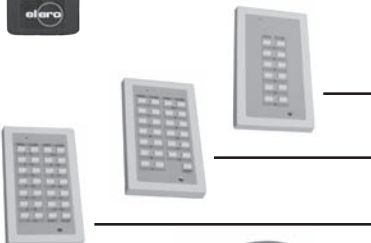
Keypad, 6-Channel

93.640.5313

Keypad, 12-Channel

93.640.5314

Keypad, 24-Channel

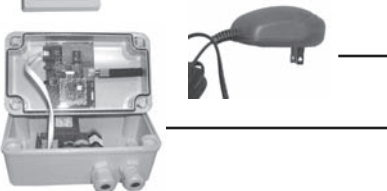


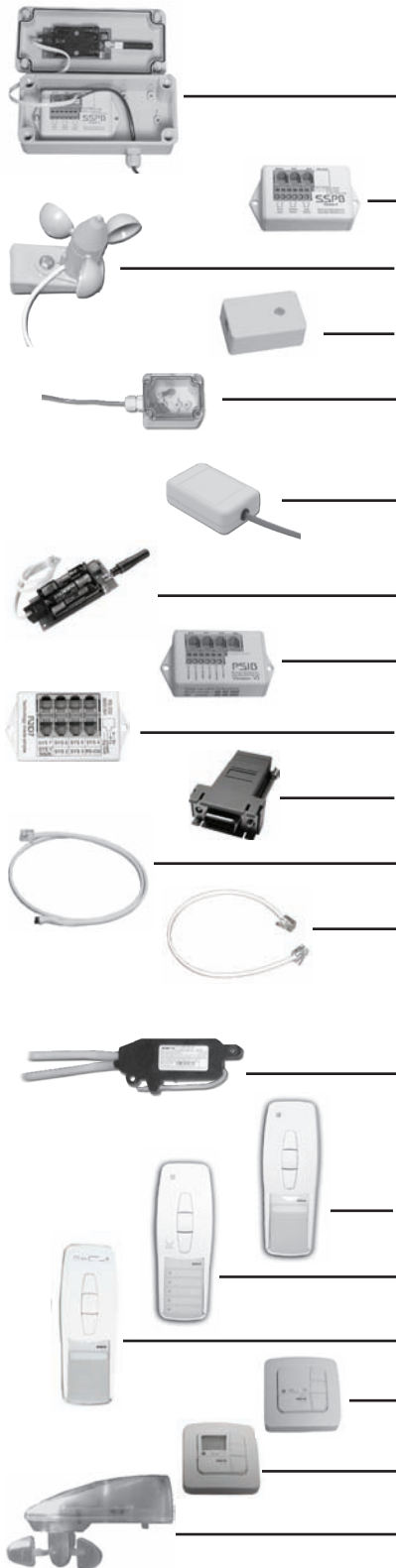
93.640.6005

DC Power Module

93.640.5203

Radio Receiver with RP60





**Part Number**

**Description**

93.640.6001

Motion Sensor Control

93.640.6002

Wind Sensor Control

93.640.6012

Sun Sensor Program Board

93.640.6022

Wind Anemometer For SSPB

93.640.6023

Light Sensor Interior For SSPB

93.640.6024

Light Sensor Exterior For SSPB

93.640.6025

Motion Sensor- Vertical

93.640.6026

Motion Sensor- Horizontal

93.640.6010

Radio Frequency Transmitter Module

93.640.6013

Programmable Switch Interface

93.640.6015

RS232 Interface R2D7

93.640.6016

RS232 Adaptor

93.640.6020

IR Remote Eye

93.640.6032

Modular Data Cable 12"

**Combo**

28.520.0801

Combo 915 RM, 120v

28.200.0902

MonoTel 915 Transmitter

28.240.0902

VarioTel 915 Transmitter

28.220.0902

LumeroTel 915 Transmitter

28.300.0902

MemoTec 915 Transmitter

28.320.0902

AstroTec 915 Transmitter

28.440.0902

Aero 915

## Standard Motor Brackets

	Part Number	Description	Typical Application	Notes
<b>9 Series Motors (10mm x 16mm motor mounting stud)</b>	13.107.0001	Composite Flush Bracket	Rollshutter	Cassette systems, hole in bracket fits over pin in end cap
	13.106.1701	Steel curved 60mm hole spacing	Rollshutter	Bracket system or cassette if customer removes pin in end cap
	23.832.0001	13.106.1701 mounted on steel plate	Rollshutter	Plate mounts directly to square ridge on 10" & 12" 5-sided end cap with 85mm hole spacing
	13.300.0801	Steel curved 48mm hole spacing 6mm tapped holes	Awnings	
	13.301.7001	Flat steel 48mm hole spacing 6mm tapped holes	Awnings	Can be supplied with optional spacer P/N 13.110.5601
	13.109.1701	Composite Bracket	Interior	Also needs insert P/N 13.108.0201
	13.109.1801	Composite Idler Bracket	Interior	Usually used as a set with above bracket
	13.110.5001	Right Angle Steel 3"	Anywhere	Needs steel motor mount P/N 13.106.1701, bearing bracket P/N 92.110.0003, and bearing with 10mm hole P/N 13.300.8601
	13.110.5101	Right Angle Steel 5"	extreme strength is required	
	13.110.5201	Right Angle Steel 7"		
13.107.0202	10mm x 10mm Mounting Pin	Where required	Used for change outs where customer wants to use existing 10mm x 10mm motor bracket	
<b>9 Series MO and All 11 Series Motors (16mm x 16mm motor mounting stud)</b>	13.106.3501	Steel curved star 60mm hole spacing	Rollshutter	Pin in end cap must be removed for cassette system, 9 series MO and 11/4 & 11/6 MO can be connected to end cap without motor bracket
	23.833.0001	13.106.3501 mounted on steel plate	Rollshutter	Plate mounts directly to square ridge on 10" & 12" 5-sided end cap with 85mm hole spacing
	13.103.3901	Flat steel star bracket 48mm hole spacing 6mm tapped holes	Awnings	Can be supplied with optional spacer P/N 13.110.5601
	13.109.1701	Composite motor bracket	Interior	Normally used as a set with P/N 13.109.1801 below
	13.109.1801	Composite idler bracket	Interior	
	13.110.5001	Right Angle Steel 3"	Anywhere	Needs steel motor mount P/N 13.106.3501, bearing bracket P/N 92.110.0003, and bearing with 10mm hole P/N 13.300.8601
	13.110.5101	Right Angle Steel 5"	extreme strength is required	
	13.110.5201	Right Angle Steel 7"		

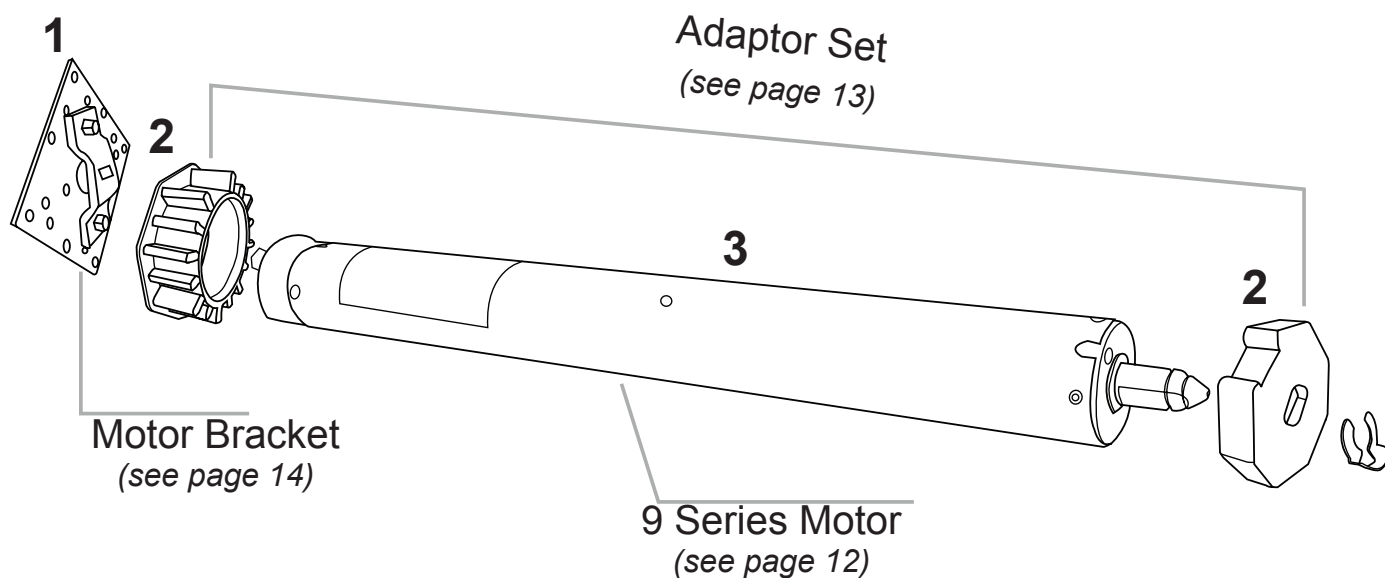


Where Quality Counts

# Standard Drive Adaptors

	Part Number	Description	Typical Application	Notes
<b>All 9 Series Motors</b>	13.105.5701	50mm Round	Interior	Used with standard 2" tubing
	23.586.0001	55mm Round	Interior	Elero 55mm tube, use Idler P/N 23.587.0001
	23.555.0001	60mm Oct	Rollshutter	Slightly smaller 60 Oct drives also available, P/N 23.534.0001 and 23.557.0001
	23.529.0001	70mm Oct	Rollshutter	
	23.585.0001	60mm Round	Rollshutter	
	23.700.0001	70mm Round Notch	Awning	Unitex / Perma
	23.563.0001	70mm Round Notch	Awning	Arquatti, RIRI tube - most awning tubes
	23.580.0001	78mm Round Notch	Awning	All 78mm. Round Notch
	23.681.0001	85mm Round Notch	Awning	All 85mm Round Notch
<b>All 11/4 and 11/6 Motors</b>	13.103.4901	60mm Round	Rollshutter	Drive only - use crown on motor
	23.486.0001	70mm Oct	Rollshutter	Standard 70mm Oct tubing
	23.478.0001	94mm Round	Rollshutter	Heavy wall 100mm Round tubing
	23.679.0001	98mm Round	Rollshutter	100mm Round tube
	23.536.0001	78mm Round Notch	Awning	Standard 78mm Notch tube
	23.579.0001	78mm Round Notch	Awning	Slightly smaller than above (.5mm)
	23.598.0001	85mm Round Notch	Awning	Standard 85mm Round tube
<b>All 11/8 and 11/10 Motors</b>	23.472.0001	60mm Round	Rollshutter	Drive only - use crown on motor
	23.487.0001	70mm Oct	Rollshutter	Standard 70mm Oct tubing
	23.430.0001	94mm Round	Rollshutter	Heavy wall 100mm Round tubing
	23.447.0001	98mm Round	Rollshutter	100mm Round tube
	23.537.0001	78mm Round Notch	Awning	Standard 78mm Round Notch tube
	23.426.0001	78mm Round Notch	Awning	Slightly smaller than above (.5mm)
	23.661.0001	85mm Round Notch	Awning	Standard 85mm Round tube

# Typical Shutter Components



## 1. Bracket

Motor Bracket (9) For 10mm x 16mm Shaft	13.106.1701
Mounting Plate with 10mm x 16 Motor Bracket	23.832.0001

## 2. Adaptors (9)

Adaptor Set (9) 60mm, Selve, Oct	23.555.0001
Adaptor Set (9) 70mm x 1mm Oct	23.529.0001

## 3. 9 Series Motors

Motor RM 9/1	31.531.0001	Motor RM 9/2.5	31.521.0001
Motor RM 9/1.8	31.511.0002	Motor RM 9/3.3	31.232.0001
Motor RM 9/4	31.242.0001		

## 9 Series ITec Radio Motors

Motor RM 9/1 ITec	91.531.0001	Motor RM 9/2.5 ITec	91.521.0001
Motor RM 9/1.8 ITec	91.511.0002	Motor RM 9/3.3 ITec	91.232.0001
Motor RM 9/4 ITec	91.242.0001		

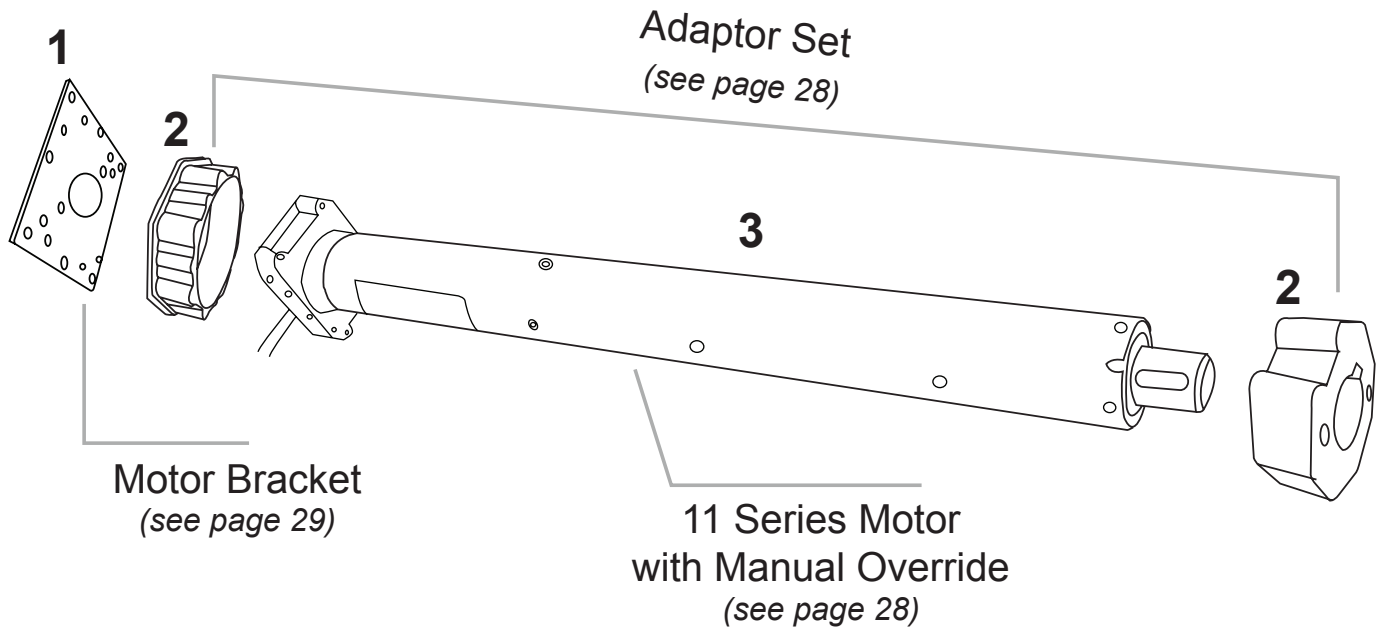
## Programming Remote Controls

Techno 12-Channel	93.640.5312
Techno 24-Channel	93.640.5324

## Operating Remotes

Deco 1-Channel	93.640.5312
Deco 5-Channel	93.640.5324

# Typical 11 Series Components or Manual Override Motors



### 1. Bracket

Mounting Plate With Star Motor Bracket	23.833.0001
Mounting Plate 100mm x 100mm	13.109.2901
Motor Bracket, Star Curved	13.106.3501

### 2. Adaptors

70mm Oct for 11/6 Motor	23.486.0001
70mm Oct for 11/8 Motor	23.487.0001

### 3. 11 Series Motors

Motor RM 11/4	31.231.0001
Motor RM 11/6	31.241.0001
Motor RM 11/8/14	31.251.0002
Motor RM 11/10/10	31.721.0001
Motor RM 11/4 MO Pass Thru	31.831.0003
Motor RM 11/6 MO Pass Thru	31.841.0003
Motor RM 11/8 MO Pass Thru	31.851.0003
Motor RM 11/10 MO Pass Thru	31.731.0002
Motor RM 11/4 ITec	91.231.0001
Motor RM 11/6 ITec	91.241.0001
Motor RM 11/8 ITec	91.251.0002
Motor RM 11/10 ITec	91.721.0001



Where Quality Counts

Elero USA, Inc.  
1-800-752-8677

10827 Alder Circle  
Dallas, Texas 75238  
PHONE (214) 343-1676  
FAX (214) 342-8528

[www.elerousa.com](http://www.elerousa.com)

Your Elero Supplier:

Effective as of July 17, 2006