

WKS-IR Quick Programming Guide

1. Clear unit by pushing the **Auto** button and the **Down** button on the receiver at the same time for approximately 3 seconds until the **Red Light** flashes.
2. Push desired address number on the handsender (#1,2,3 or 4, etc.)
3. Push and hold the **Auto** button and the **Up** button on the **receiver** at the same time. While holding these buttons, push the **Up** or **Down** button on the **handsender**. The Red/Green Lights will flash. Unit is now set.
4. Repeat process at Step 2 and 3 if additional addresses are desired for sub group functions. Unit can be programmed for more than one number.

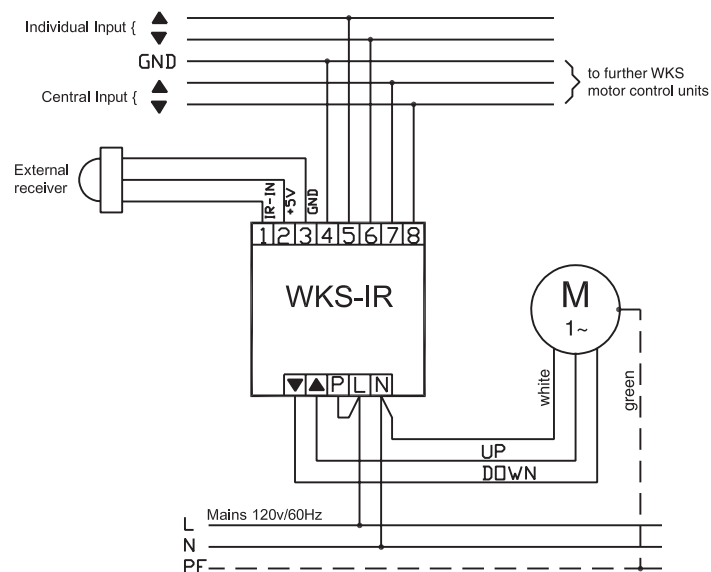
Notes:

A flashing **Green Light** on the handsender indicates an address (numbers 1 to 12) has been entered into the handsender. Any address will remain in the handsender for approximately 3 minutes unless another address is entered. One push of the 7 to 12 button will cancel this mode.

A solid **Green Light** on the handsender indicates the address 7 to 12 mode. The handsender will default to address 1 to 6 after 3 seconds. Any address from 7 to 12 must be entered during this 3 second period. Once entered, it will remain for approximately 3 minutes.

Handsender will default to **All** mode after 3 minutes. **Up** or **Down** arrow will operate all units unless a particular address is entered.

A flashing **Red Light** indicates a weak battery.



WKS1-10-02-LB